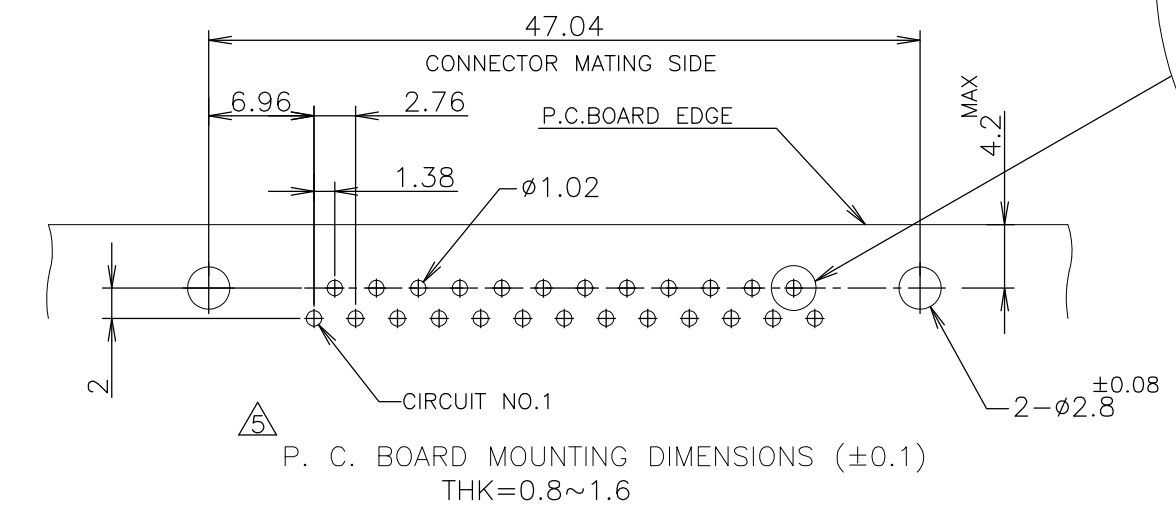
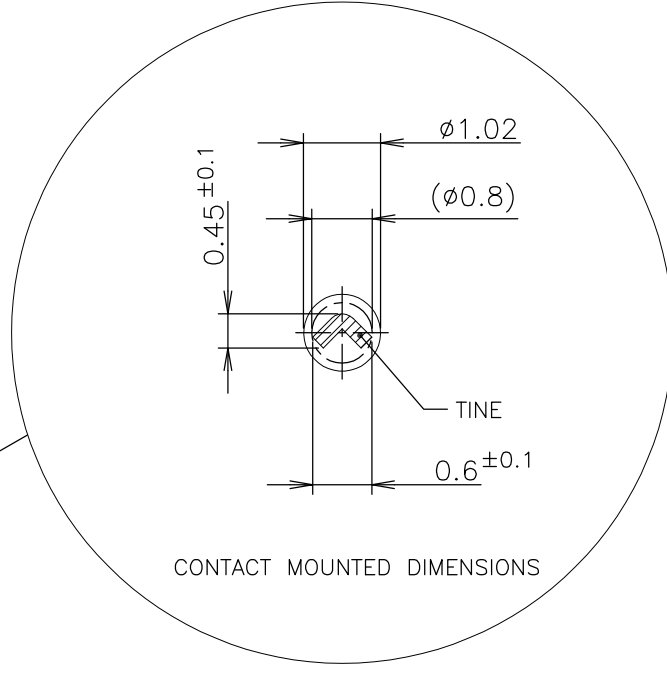
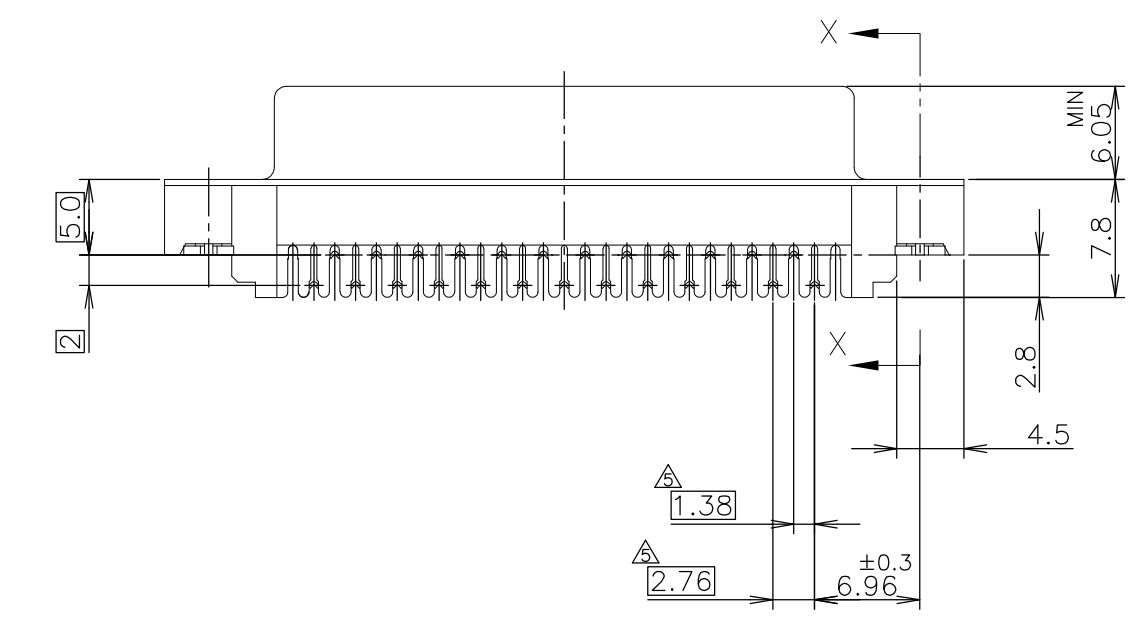
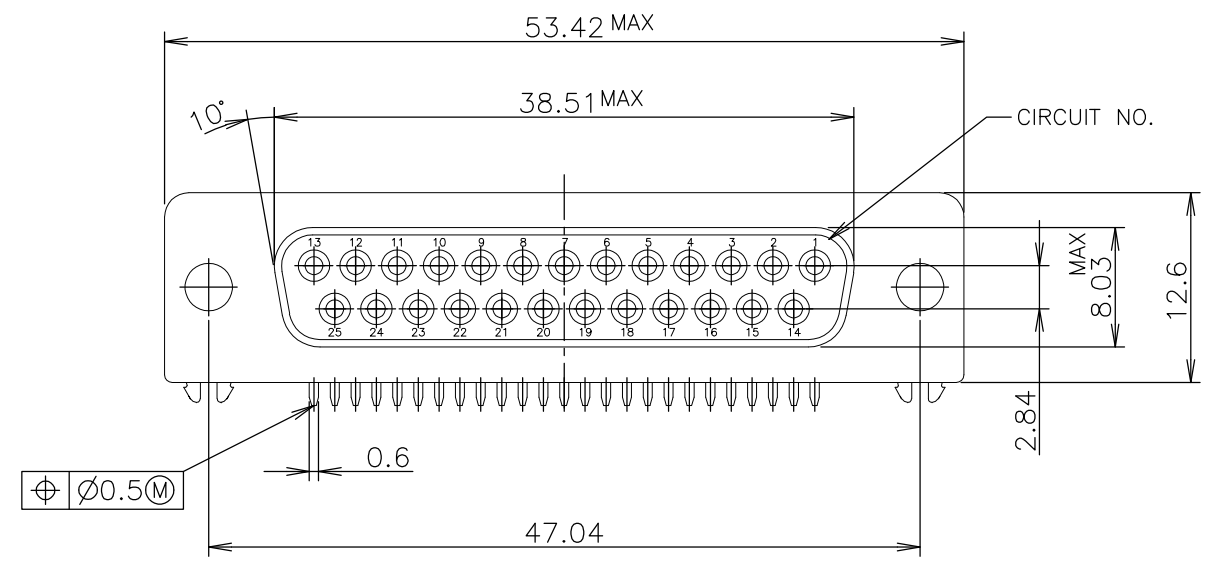
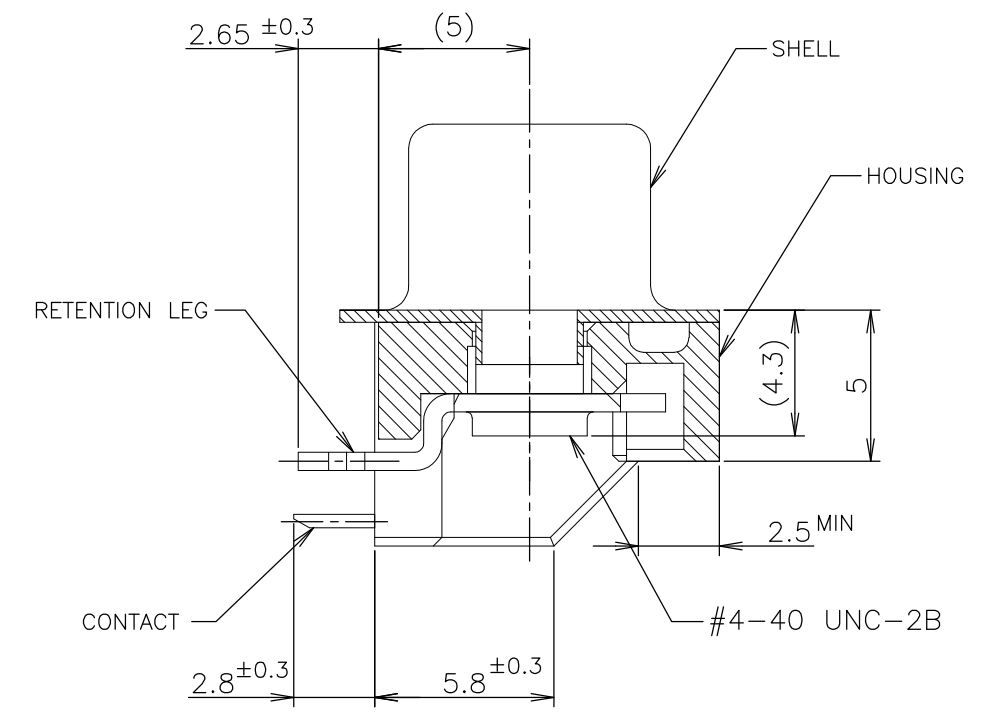


THIS DRAWING IS UNPUBLISHED. RELEASED FOR PUBLICATION JUN ,1994.
 © COPYRIGHT 1994 BY TYCO ELECTRONICS CORPORATION. ALL RIGHTS RESERVED.

LOC	DIST	REVISIONS			
P	LTR	DESCRIPTION	DATE	DWN	APVD
J		A	RELEASE (ECR-05-001155)	5APR05	L.Z I.E
		A1	REVISED PER ECO-09-024927	10NOV09	KK AEG



- 1 THESE PRODUCTS CONFORM AMP SPEC 108-5400.
- △ MATERIAL
HOUSING: THERMOPLASTEC
SHELL: CARBON STEEL
CONTACT: COPPER ALLOY
RETENTION LEG: COPPER ALLOY
- △ FINISH
CONTACT: GOLD PL.
SHELL: TIN PL.
RETENTION LEG: TIN PL.
- 4 SCREWLOCK OR SCREW MUST BE ASSEMBLED BEFORE PLUG CONNECTOR MATING.
(SCREW ON TORQUE: 5kg-cmMAX)
- △ P. C. BOARD MOUNTING DIMENSION CONFORM MIL SPEC. (MS-18275)
- △ OBSOLETE PARTS: OBSOLETE CIS STREAMLINING PER D.RENAUD/D.SINISI



Au: 0.00076 MIN.	6	9
Au: FLASH	5179953-3	
FINISH	P/N	

△ P. C. BOARD MOUNTING DIMENSIONS (±0.1)
THK=0.8~1.6

GENERAL TOLERANCE	
10 ≥ :	±0.2
30 ≥ > 10:	±0.25
100 ≥ > 30:	±0.3
ANGLES :	±3°

THIS DRAWING IS A CONTROLLED DOCUMENT.	
DIMENSIONS: mm	TOLERANCES UNLESS OTHERWISE SPECIFIED:
	0 PLC ±
	1 PLC ±
	2 PLC ±
	3 PLC ±
	4 PLC ±
	ANGLES ±
MATERIAL SEE NOTE 2	FINISH SEE NOTE 3

DWN LEO ZHOU 5APR05	Tyco Electronics Tyco Electronics AMP K.K. Kawasaki, Japan	
CHK STEVEN YAO 5APR05	NAME	
APVD I.ENOMOTO 5APR05	RECEPTACLE ASSY RIGHT ANGLE SIZE 3, 25P LOW PROFILE STD-D P.C.B t=0.8~1.6 DIP L=2.80 AMPLIMITE III-J ULTRA SLIM HD-20	
PRODUCT SPEC	SIZE	RESTRICTED TO
APPLICATION SPEC	CAGE CODE	
WEIGHT	DRAWING NO	
CUSTOMER DRAWING	A3 00779	G-5179953
SCALE 2:1	SHEET 1 OF 1	REV A1