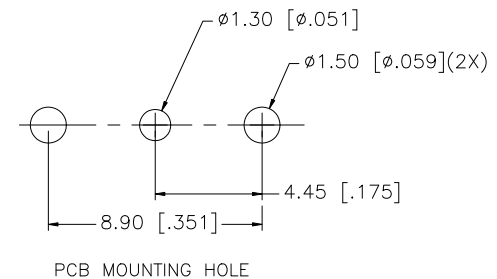
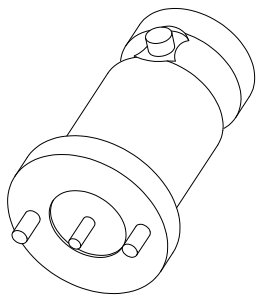
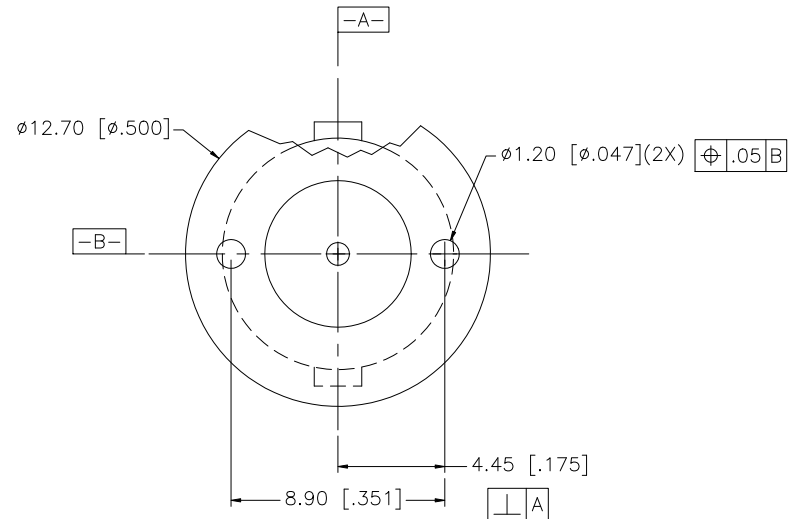
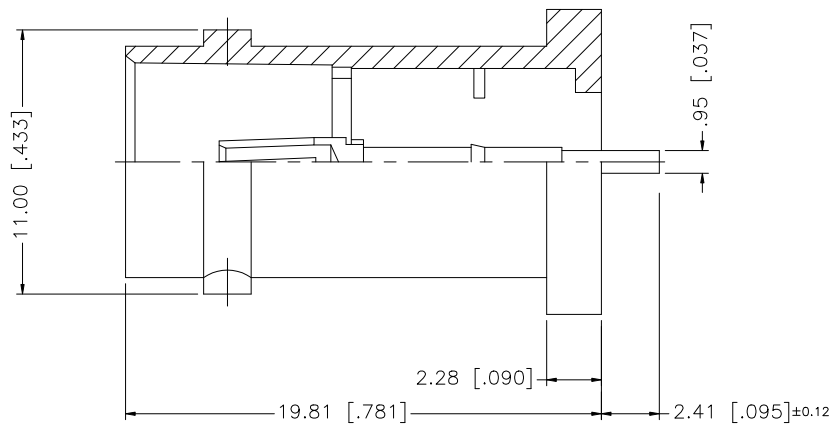


REV.	DATE	DESCRIPTION
NC	04/26/05	INITIAL RELEASE
A	08/10/05	MODIFY BODY LENGTH
B	02/25/08	ADD 75ohm RATING IN PART DESCRIPTION



QTY	DESCRIPTION	MATERIAL	FINISH	QTY
4	LOCK RING	BRASS	NICKEL	1
3	CONTACT PIN	PHOS. BRONZE	GOLD	1
2	INSULATOR	TEFLON	NATURAL	1
1	BODY	BRASS	NICKEL	1
	DESCRIPTION	MATERIAL	FINISH	QTY

UNLESS OTHERWISE SPECIFIED DIMENSIONS ARE IN MILLIMETERS. DIMENSIONS IN [ ] ARE IN INCHES AND FOR CUSTOMER REFERENCE ONLY.

UNLESS OTHERWISE SPECIFIED TOLERANCES FOR MILLIMETERS ARE:  
0.5 - 8mm ± 0.20mm  
8 - 30mm ± 0.40mm  
30 - 120mm ± 0.50mm

UNLESS OTHERWISE SPECIFIED TOLERANCES FOR INCHES ARE:  
.020 - .315 = ± 0.007"  
.315 - 1.180 = ± 0.015"  
1.180 - 4.724 = ± 0.020"

DO NOT SCALE DRAWING

APPROVALS	DATE
DRAWN G.R.S.	02/25/08
CHECKED	
ISSUED	
SHEET 1 OF 1	
CAD FILE	C:/112/112405-10-2.DWG

# Amphenol Connex

PART DESCRIPTION  
**BNC P.C. MOUNT RECEPT. JACK**  
**.095" CENTER CONTACT / 2-LEGS, 75ohms**

PART NO. **112405-10-2**

DWG. NO. 112405-10-2.DWG REV. B SIZE A SCALE NA