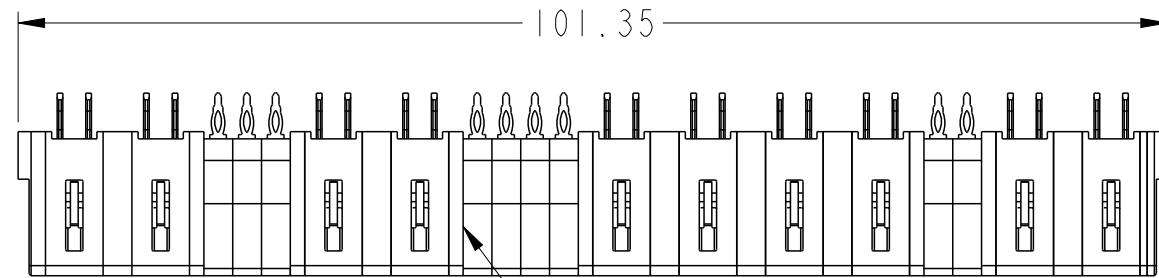
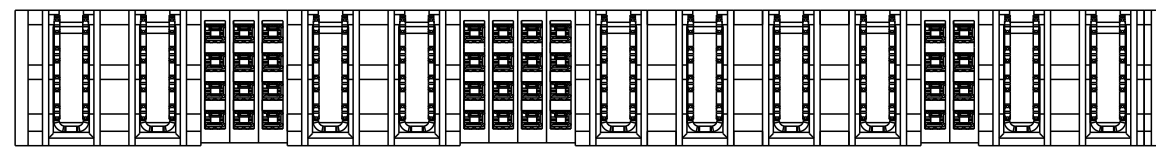
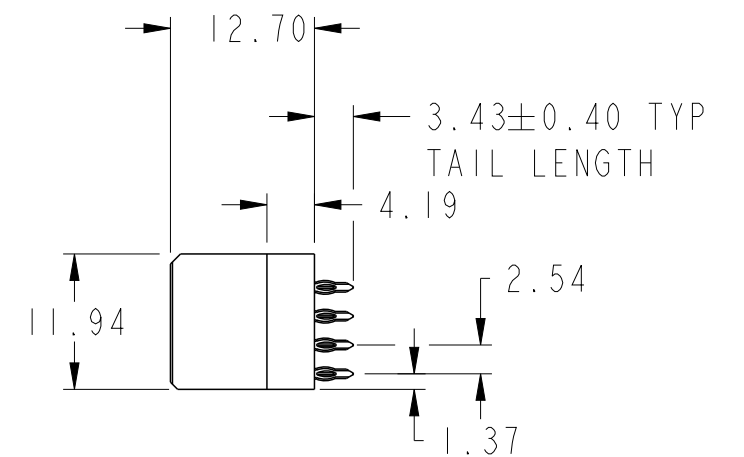
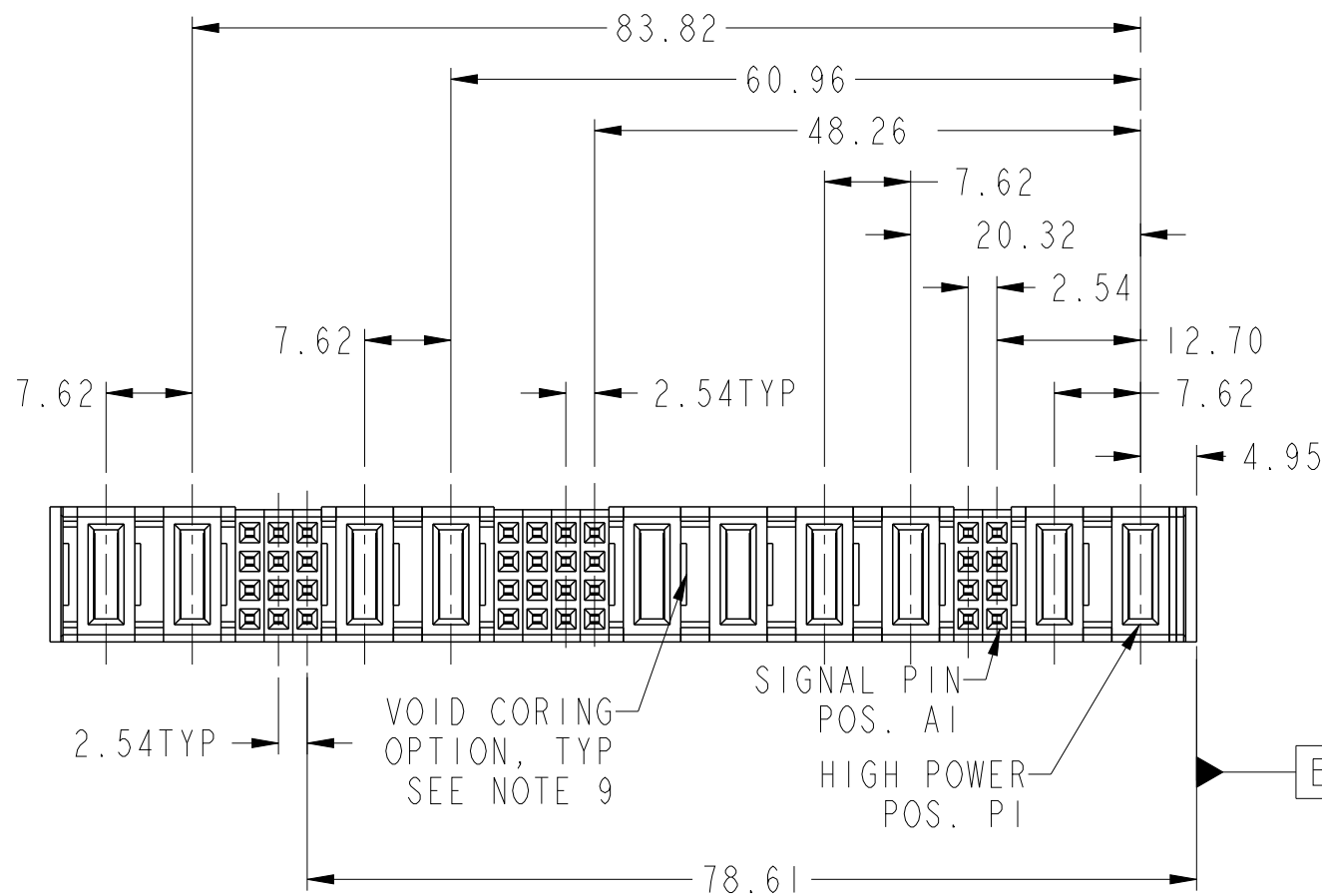


PRODUCT NUMBER SEE SHEET 2



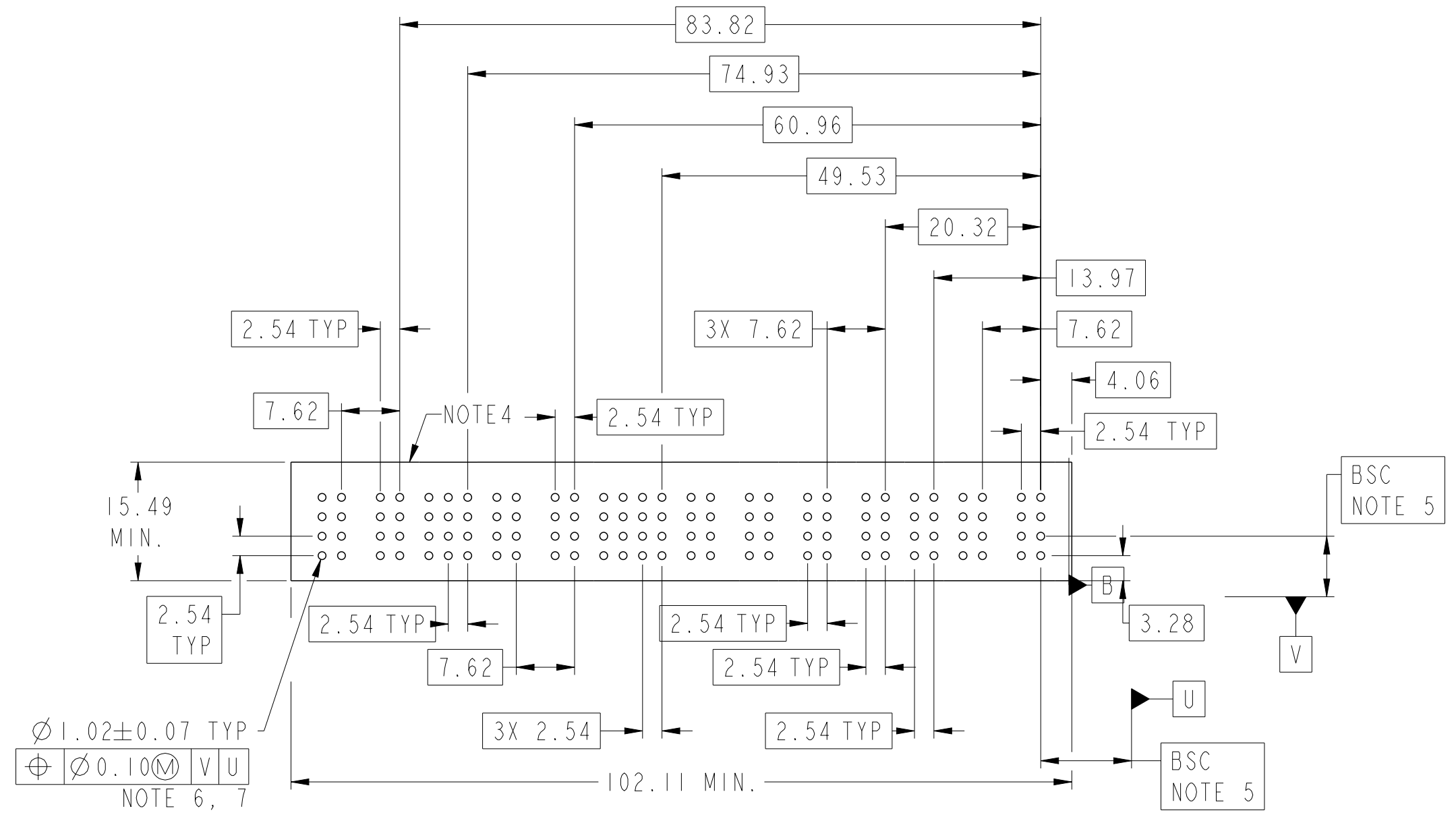
NOTE 1



spec ref		dr	Peng-Bing Fu	2012/11/01	projection	MM	size	A3	scale	3:2	
tolerance std		eng	Peng-Bing Fu	2013/03/15			ecn no		-		
ASME Y14.5		chr	-	-			rel level		Released		
TOLERANCES UNLESS OTHERWISE SPECIFIED		appr	Pei-Ming Zheng	2013/03/15	product family		PowerBlade+		-		
surface		linear	0.X	±0.50		part no		2P+8S+4P+16S+2P+12S+2P		dwg no 10106123-A009001	rev A
			0.XX	±0.25		VT PF RECEPTACLE					
			0.XXX	±0.10		cat. no.		Product - Customer Drw			
ASME Y14.5		angular	0°	±2°	www.fci.com		sheet 1 of 3				

PRODUCT NO.	ROWS	HP		SIGNAL			HP		SIGNAL				HIGH POWER				SIG		HP	
		P10	P9	9	8	7	P8	P7	6	5	4	3	P6	P5	P4	P3	2	1	P2	P1
10106123-A009001LF	D C B A	HG	HG	F	F	F	HG	HG	F	F	F	F	HG	HG	HG	HG	F	F	HG	HG

CODE	DESCRIPTION
F	STD SIGNAL CONTACT
HG	STD HIGH POWER CONTACT (3.43)



Copyright FCI.

dr	Peng-Bing Fu	2012/11/01	projection	MM	size	A3	scale	3:2
eng	Peng-Bing Fu	2013/03/15			ecn no		-	
chr	-	-			rel level		Released	
appr	Pei-Ming Zheng	2013/03/15	product family		PowerBlade+			
			2P+8S+4P+16S+2P+12S+2P VT PF RECEPTACLE			dwg no 10106123-A009001		rev A
www.fci.com			cat. no.		Product - Customer Drw		sheet 2 of 3	

A

A

NOTES:

- 1) "FCI", PART NUMBER AND DATE CODE TO BE MARKED ON THIS SURFACE.
THE MARK CAN BE OMITTED IF THERE IS NOT ENOUGH SPACE ON THIS SURFACE.
- 2) MATERIALS:
-HOUSING - GLASS FILLED WITH HIGH TEMP THERMOPLASTIC, UL94V-0.
-SIGNAL CONTACT - COPPER ALLOY.
-POWER CONTACT - HIGH CONDUCTIVITY COPPER ALLOY.
- 3) PLATING SPECIFICATION REFER TO FCI 10116351
- 4) DENOTES CONNECTOR KEEP OUT ZONE.
- 5) DATUM AND BASIC DIMENIONS WERE ESTABLISHED BY CUSTOMER.
- 6) ALL HOLE DIAMETERS ARE FINISHED HOLE SIZES.
- 7) 1.15 ± 0.025MM DRILLED HOLE PLATED WITH 0.00762MM MIN Sn
OVER 0.0254-0.0762MM Cu PLATING TO ACHIEVE A 1.02 ± 0.07MM HOLE.
- 8) PRODUCT SPECIFICATION REFER TO FCI GS-12-658.
APPLICATION SPECIFICATION REFER TO FCI GS-20-141.
PRODUCT PACKAGED IN TRAYS, REFER TO FCI GS-14-1502.
- 9) THE VOID CORING IN BETWEEN POWER MODULES, SIGNAL
MODULES AND END MODULES ARE OPTIONAL AND THE SHAPE
MAY BE DIFFERENT FOR OPTIMIZE THE MOLDING PROCESS. THE
VOID CORING WILL NOT EFFECT TO PRODUCT FUNCTION.

B

B

C

C

D

D



Copyright FCI.

dr	Peng-Bing Fu	2012/11/01	projection 	MM ←→	size	A3	scale	1:1
eng	Peng-Bing Fu	2013/03/15			ecn no	-		
chr	-	-	product family	PowerBlade+	rel level	Released		
appr	Pei-Ming Zheng	2013/03/15			2P+8S+4P+16S+2P+12S+2P VT PF RECEPTACLE	dwg no 10106123-A009001	rev A	
www.fci.com		cat. no.	Product - Customer Drw		sheet 3 of 3			