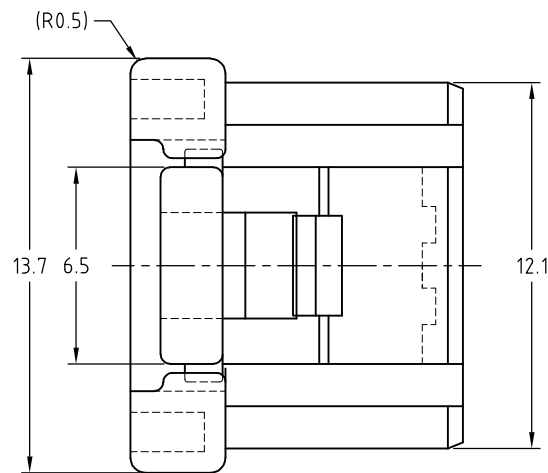
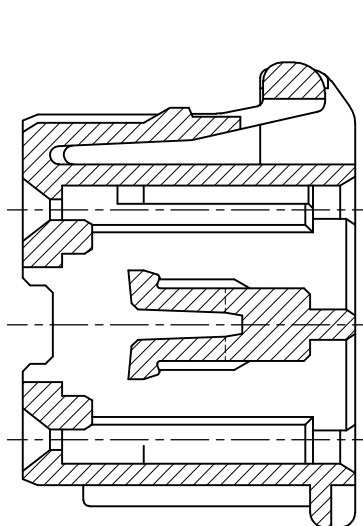
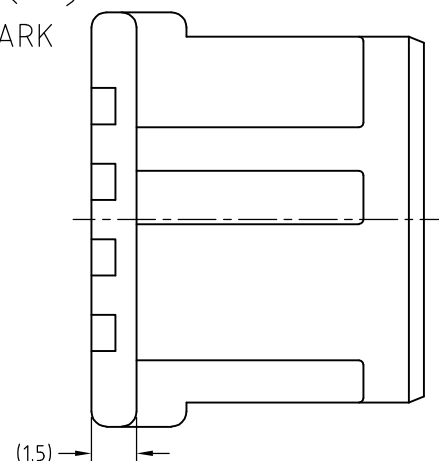
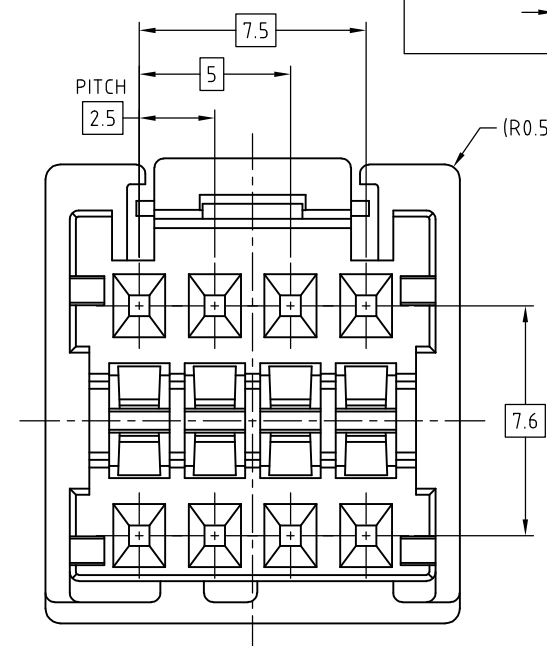
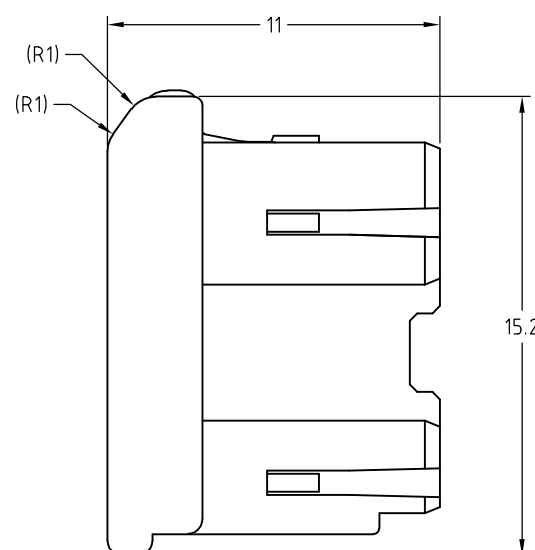
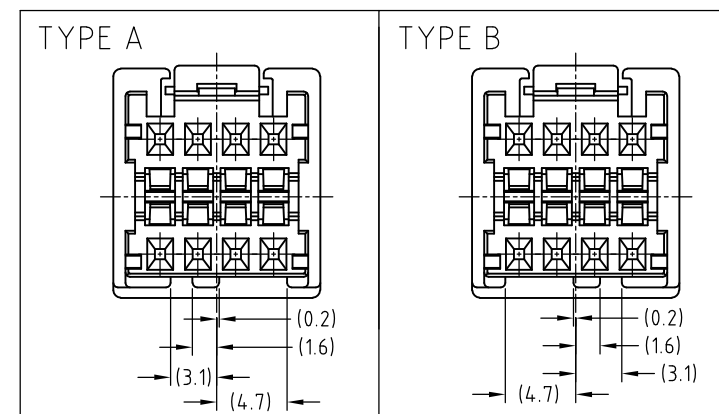


THIS DRAWING IS UNPUBLISHED. RELEASED FOR PUBLICATION  
 © COPYRIGHT BY TYCO ELECTRONICS CORPORATION. ALL RIGHTS RESERVED.

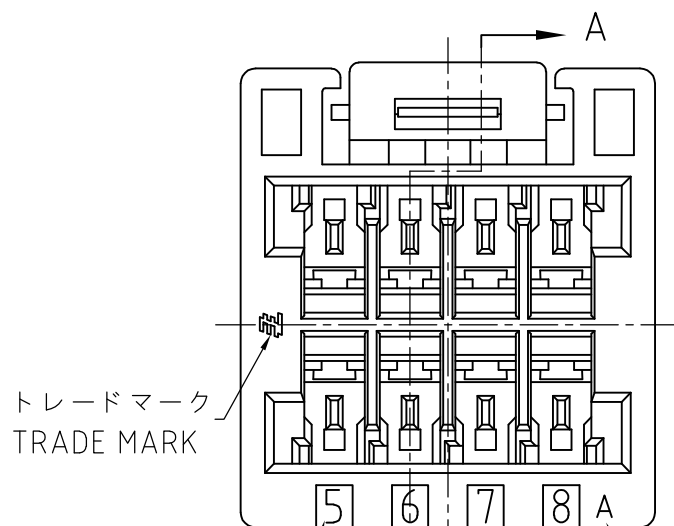
| LOC | DIST | REVISIONS |     |                           |         |     |      |
|-----|------|-----------|-----|---------------------------|---------|-----|------|
| J   | —    | P         | LTR | DESCRIPTION               | DATE    | DWN | APVD |
|     |      |           | D1  | REVISED PER ECR-10-019978 | 01OCT10 | HMR | TM   |



TYPE OF KEYING



断面 A-A  
SECT A-A



トレードマーク  
TRADE MARK

回路番号  
CIRCUIT NO.

キャビティマーク  
CAVITY MARK

注記

1. 一般公差 : ±0.3
2. 材料PBTガラス強化(UL94V-0)
3. かん合相手製品型番  
 キャップハウジング : TABLE参照のこと  
 リセコンタクト : 917683,917684

NOTES

1. GENERAL TOLERANCE : ±0.3
2. MATERIAL : PBT GRASS FILLED (UL94V-0)
3. MATING CONN. P/N  
 CAP HOUSING : SEE TABLE  
 REC CONTACT : 917683,917684

|                              |                           |                |                   |
|------------------------------|---------------------------|----------------|-------------------|
| 1-1981971-2                  | TYPE B                    | 赤色<br>RED      | 1-1981970-2       |
| 1981971-1                    | TYPE A                    | 自然色<br>NATURAL | 1981970-1         |
| 3. かん合相手型番<br>MATING HSG P/N | キーイング形状<br>TYPE OF KEYING | 色調<br>COLOR    | 型番<br>PART NUMBER |

|   |  |                               |  |                         |
|---|--|-------------------------------|--|-------------------------|
| THIS DRAWING IS A CONTROLLED DOCUMENT.                          |  | DWN<br>J.SATO<br>02AUG2007    | Tyco Electronics AMP K.K.<br>Kawasaki, Japan |                         |
| DIMENSIONS:<br>単位: 耗<br>mm                                      |  | CHK<br>S.MANABE<br>02AUG2007  | NAME<br>名称                                   |                         |
| TOLERANCES UNLESS<br>OTHERWISE SPECIFIED:<br>一般公差               |  | APVD<br>S.MANABE<br>02AUG2007 | PRODUCT SPEC<br>製品規格<br>108-78350            |                         |
| 0 PLC ±<br>1 PLC ±<br>2 PLC ±<br>3 PLC ±<br>4 PLC ±<br>ANGLES ± |  | APPLICATION SPEC<br>取付適用規格    |  |                         |
| MATERIAL<br>材料<br>SEE NOTE 2                                    |  | WEIGHT                        |  |                         |
| FINISH<br>仕上  |  | SIZE<br>A3                    |  |                         |
|   |  | CAGE CODE<br>00779            |  | DRAWING NO<br>G-1981970 |
|   |  | RESTRICTED TO                 |  | —                       |
| CUSTOMER DRAWING  |  | SCALE<br>尺度 5:1               |  | SHEET<br>1 OF 1         |
|   |  | REV<br>D1                     |  |                         |