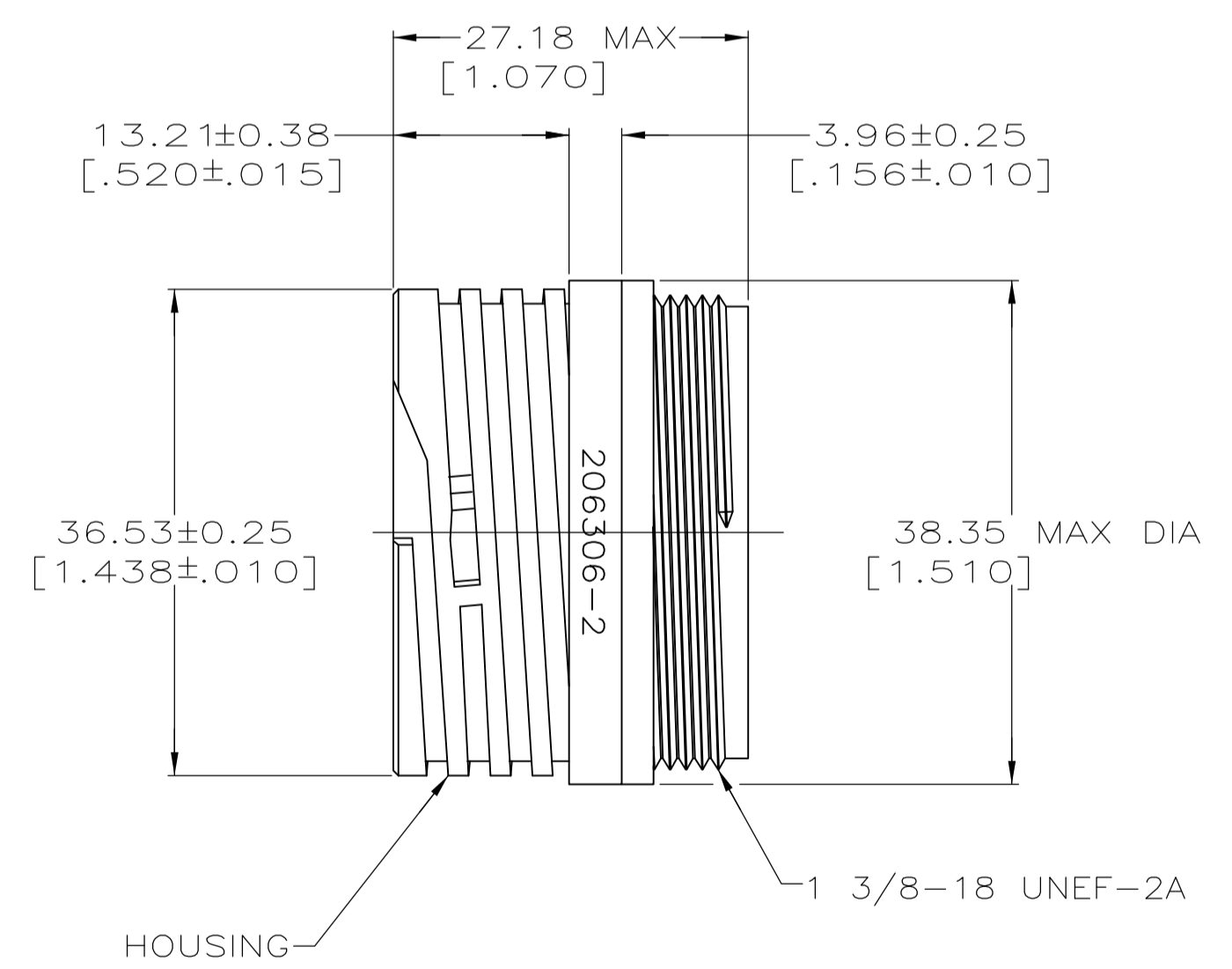
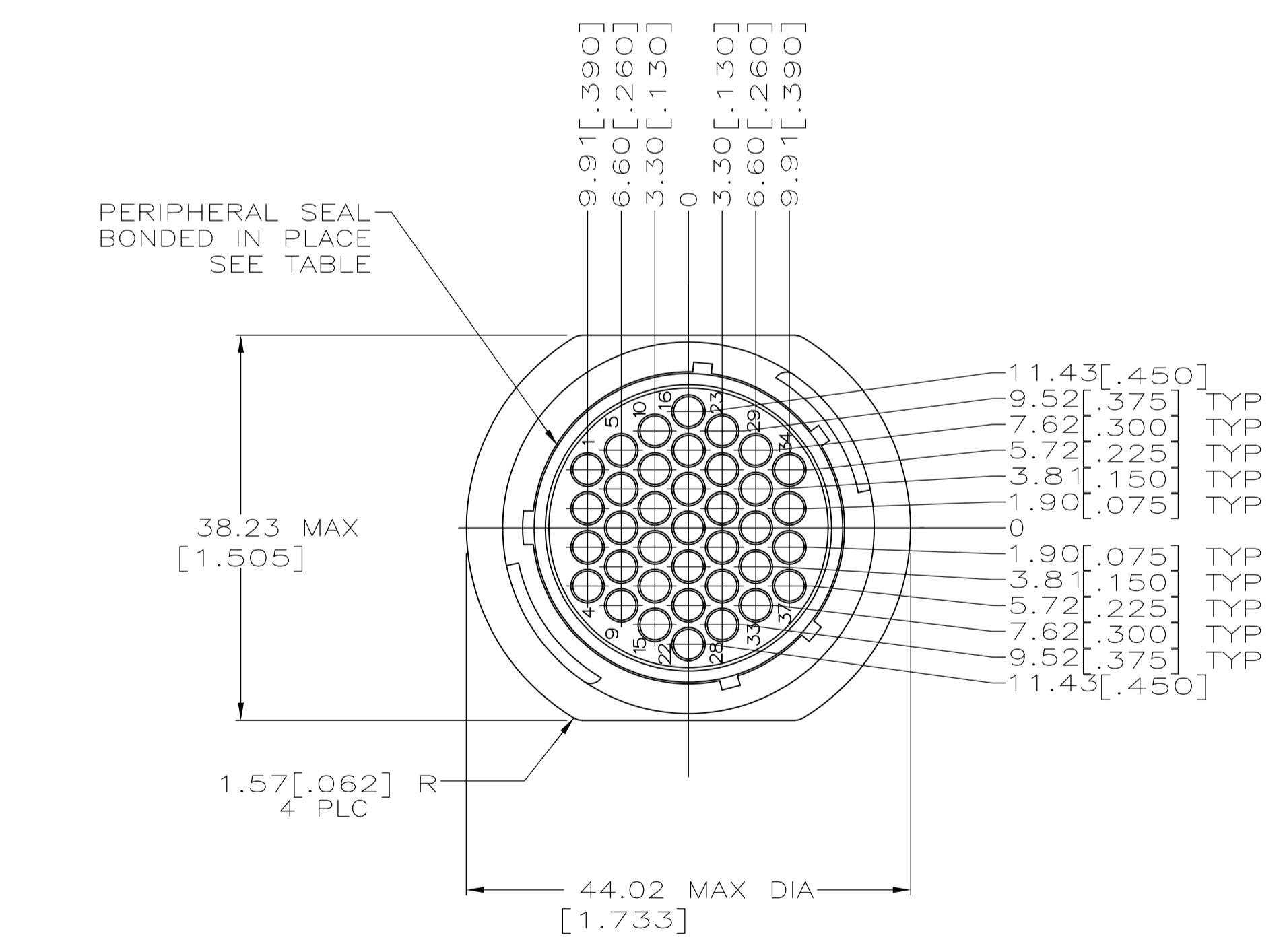


DETAIL A

RECOMMENDED PANEL CUTOUT



DETAIL B

OBSOLETE 5	STANDARD	NO	3.81 [.150] DIA HOLE	A	4 206306-8-
	SMALL PACK	NO	3.81 [.150] DIA HOLE	A	206306-6-
	STANDARD	NO	4-40 THREADED INSERT	A	206306-5
	STANDARD	YES	-	B	206306-4
	STANDARD	YES	3.81 [.150] DIA HOLE	A	206306-3
	STANDARD	NO	-	B	206306-2
	STANDARD	NO	3.81 [.150] DIA HOLE	A	206306-1
	PACKAGING	PERIPHERAL SEAL		C	SEE DETAIL

- 1 CAVITY IDENTIFICATION ON FRONT AND REAR FACE.
- 2 WILL ACCEPT THIRTY-SEVEN (37) MULTIMATE SOCKET CONTACTS.
- 3 NO 4 FASTENER RECOMMENDED FOR MOUNTING.
- 4 NYLON 6/6, NATURAL.
- 5 OBSOLETE PARTS: OBSOLETE CIS STREAMLINING PER D.RENAUD/D.SINISI

THIS DRAWING IS A CONTROLLED DOCUMENT.

DIMENSIONS: MM [INCHES]	TOLERANCES UNLESS OTHERWISE SPECIFIED:	DIN D.GELTZ 07/26/93	APVD R.STONE 08/13/93	NAME
0 PLC ± -	1 PLC ± -	2 PLC ± ± 0.13 [.005]	3 PLC ± -	4 PLC ± -
MATERIAL: HOUSING: NYLON, BLACK INSERT: BRASS		FINISH: -	WEIGHT: -	SIZE: A1
CUSTOMER DRAWING		SCALE: 2:1	SHEET: 1 OF 1	REV: L

**STE** TE Connectivity

RECEPTACLE HOUSING, REVERSE  
SEX, SHELL SIZE 23, CPC

108-10024