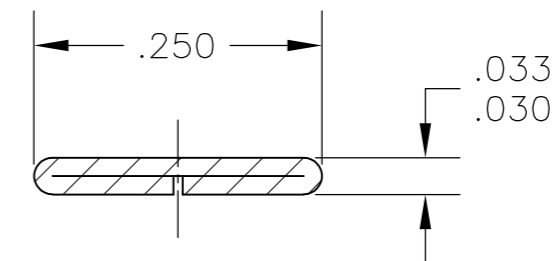
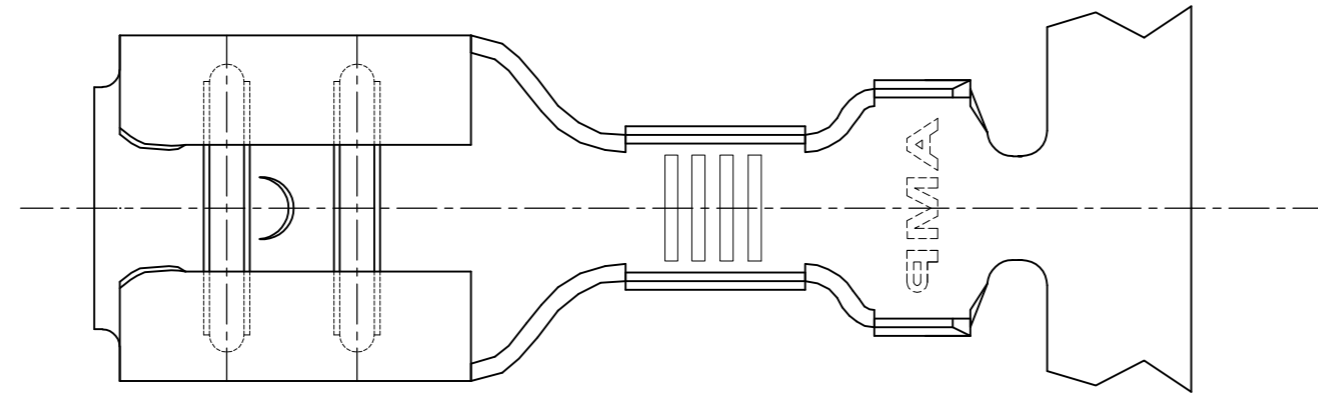


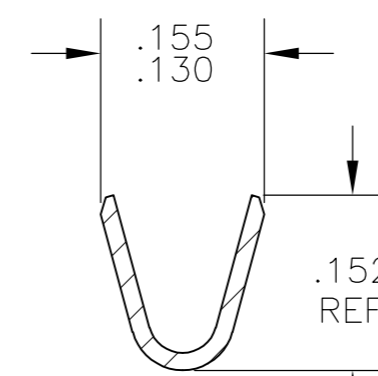
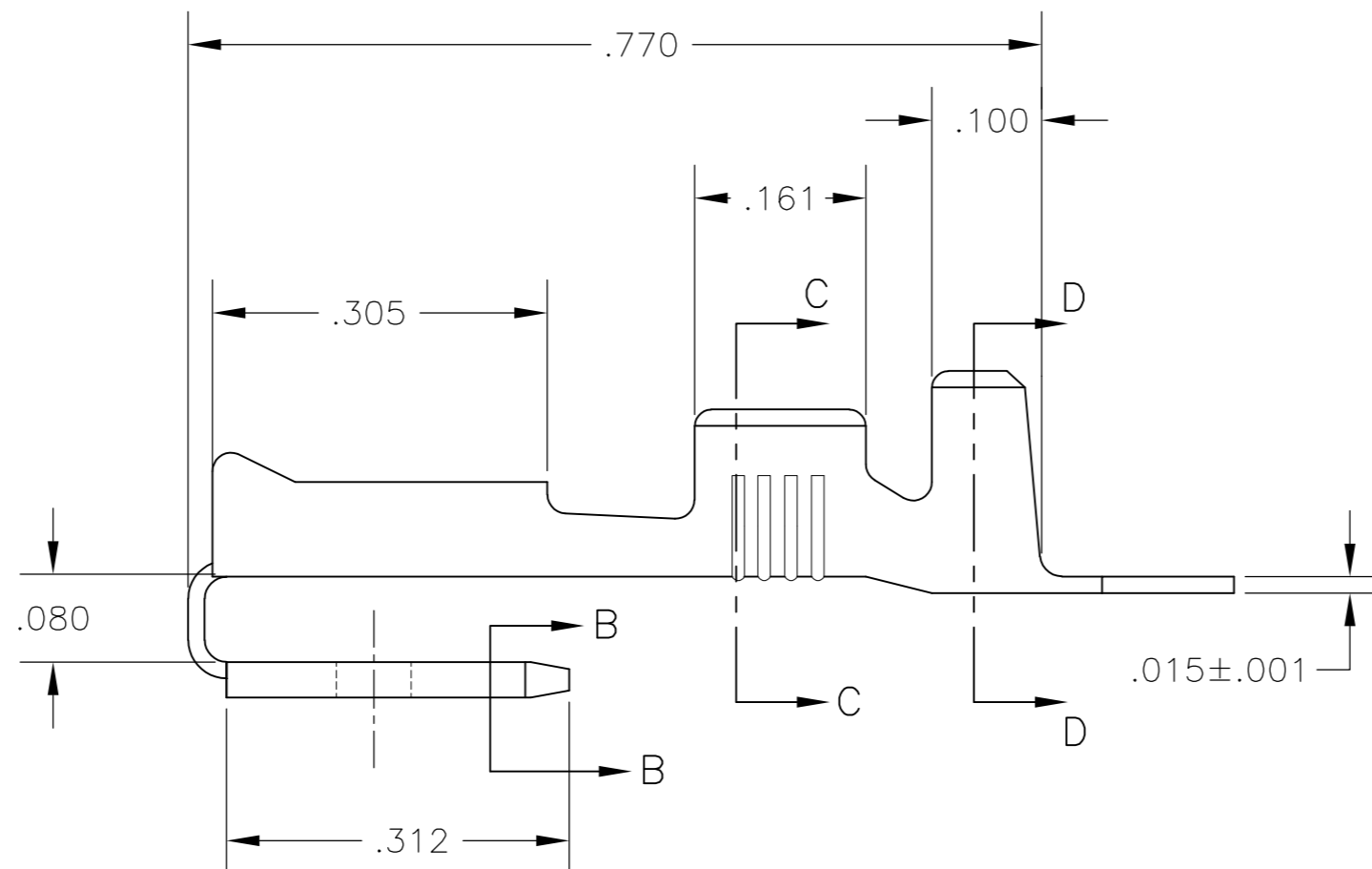
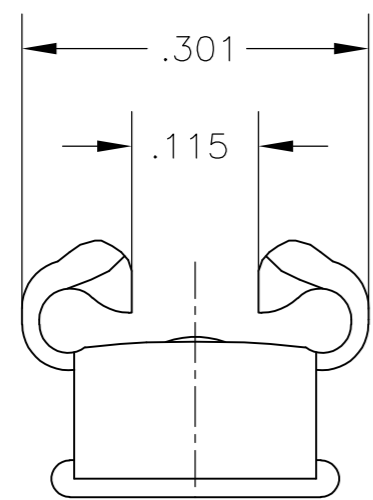
THIS DRAWING IS UNPUBLISHED. RELEASED FOR PUBLICATION
 © COPYRIGHT - R3 ALL RIGHTS RESERVED.

LOC	DIST	REVISIONS			
P	LTR	DESCRIPTION	DATE	DWN	APVD
AF	50				
		REVISED PER ECR-12-013459	28NOV2012	KH	PD

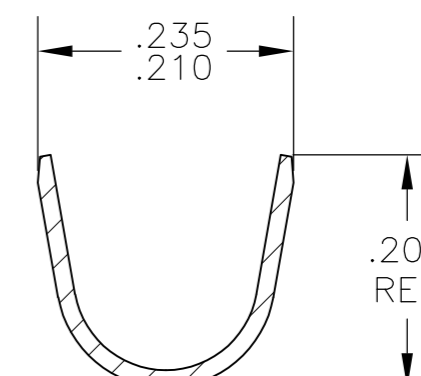
- 1 CONTINUOUS STRIP ON REELS
- 2 MATING TAB THK IS $.032 \pm .001$.
- 3 WIRE SIZE IS #18-#14 AWG
- 4 INSULATION RANGE IS $.120-.170$ DIA.



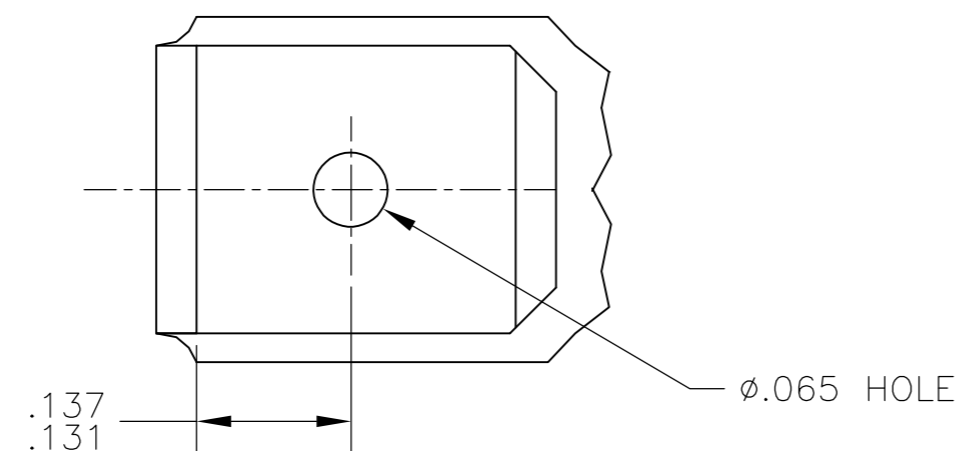
SECTION B-B



SECTION C-C



SECTION D-D



— OBSOLETE	SILVER PLATE	61944-4
— OBSOLETE	PRE TIN PLATE	61944-3
	TIN	61944-2
	—	61944-1
	FINISH	PART NO.

THIS DRAWING IS A CONTROLLED DOCUMENT.		DWN	JR RUTH	26JUL2002	 TE Connectivity	RECEPTACLE, FASTON, PIGGYBACK, 250 SERIES					
DIMENSIONS: INCHES		CHK	P DESANTIS	26JUL02		NAME					
TOLERANCES UNLESS OTHERWISE SPECIFIED:		APVD	P DESANTIS	26JUL02		PRODUCT SPEC					
0 PLC ± - 1 PLC ± - 2 PLC ± - 3 PLC ± .015 4 PLC ± - ANGLES ± -		APPLICATION SPEC		114-2082		SIZE	CAGE CODE	DRAWING NO	RESTRICTED TO		
MATERIAL: BRASS		FINISH: SEE TABLE		WEIGHT: -		A2	00779	61944	-		
CUSTOMER DRAWING						SCALE	6:1	SHEET	1 of 1	REV	T