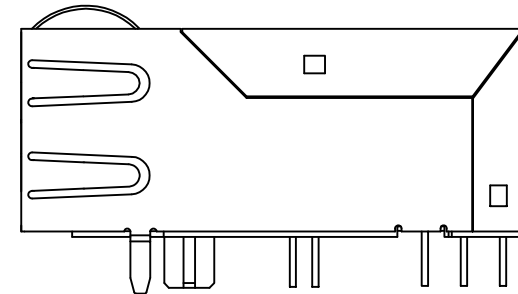
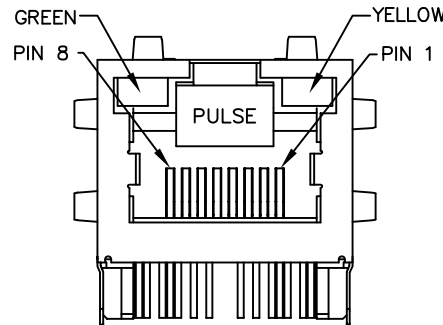
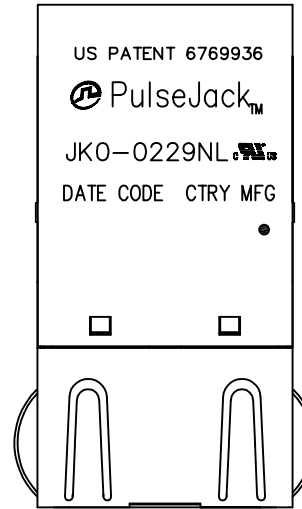


NOTES:

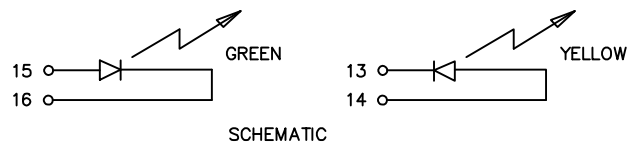
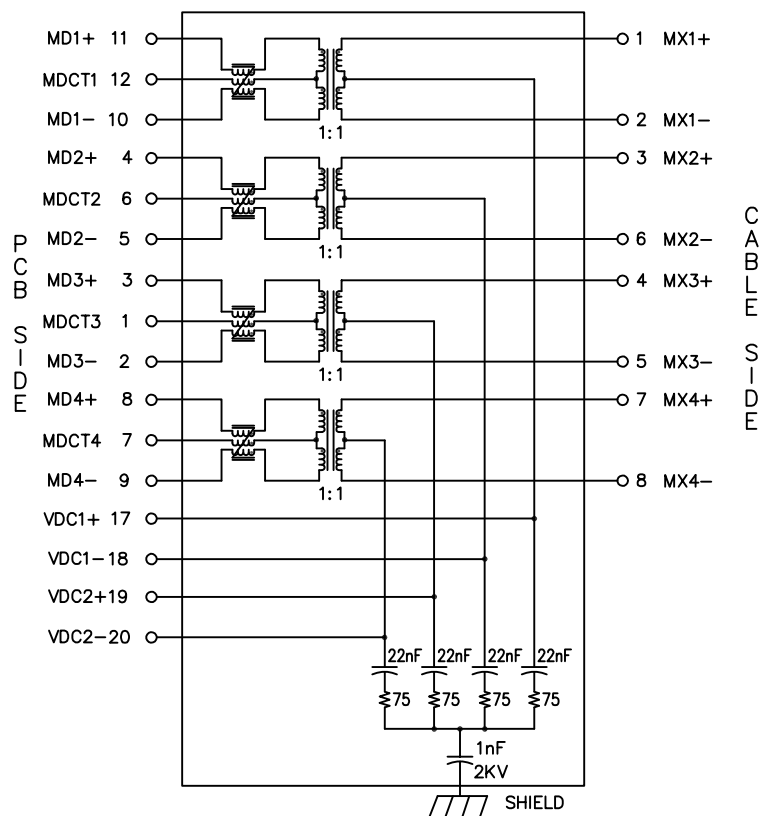
1. ROHS COMPLIANT
2. PLASTIC HOUSING: THERMOPLASTIC MATERIAL WITH FLAMMABILITY RATING UL 94V-0 OR BETTER.
3. CONTACTS PLATING: 30 MICRO-INCH GOLD PLATING.
4. CONTACTS BASE MATERIAL: PHOSPHOR BRONZE
5. UNDER PLATING: 30-50u INCHES NICKEL
6. SOLDER TAIL PLATING : 200-500 uINCHES 100% TIN, MATTE FINISH.
7. METAL SHIELD: NICKEL PLATING ON COPPER ALLOY.
8. JACK CAVITY CONFORMS TO FCC PART 68 SUBPART.
9. PCB PLATING: HASL
10. STORAGE TEMPERATURE: -20°C TO +125°C
11. COMPLIANCE TO J-STD:
  - A. J-STD-002: SOLDERABILITY AT 245°C DIP AND LOOK TEST
  - B. J-STD-020: LEVEL 1, NO MOISTURE SENSITIVE
  - C. J-STD-075: W2, 270°C MAXIMUM THROUGH WAVE SOLDER



FINAL OUTLINE

© Copyright, 2017. Pulse Electronics Corp. All rights reserved. Pulse confidential & proprietary. (04/24/17)

| PRODUCT DESCRIPTION       | TLA DRAWING   | PS DRAWING    | SHEET  | PART NO.   | DATASHEET REV. |
|---------------------------|---------------|---------------|--------|------------|----------------|
| CONN,RJ45,1X1,1GPP,1:1,TY | JK0-0229NL-10 | PS-2390.001-C | 1 OF 5 | JK0-0229NL | C              |



ELECTRICAL CHARACTERISTICS AT +25°C UNLESS OTHER SPECIFIED  
MEETS IEEE 802.3 SPECIFICATION

| PARAMETER   | SPECIFICATION                        |  |
|---|--------------------------------------|--|
| OPERATING TEMP  | 0°C TO +70°C                         |  |
| TURNS RATIO   | 1 : 1 ±2%                            |  |
| POLARITY  | PER SCHEMATIC                        |  |
| INSERTION LOSS  | 100 KHz                              | 1-125 MHz                                  |
|   | -1.2 dB MAX                          | -0.2-0.002*f <sup>1.4</sup> dB MAX         |
| RETURN LOSS<br>(Z OUT = 100 OHM ±15%)                       | .1-40 MHz                            | 40-100 MHz                                 |
|   | -16 dB MIN                           | -10+20*LOG <sub>10</sub> (f/80 MHz) dB MIN |
| INDUCTANCE (OCL)<br>@ 100kHz, 100mVRMS<br>FROM 0°C TO +70°C | 180 uH MIN                           | 120 uH MIN                                 |
|   | WITHOUT 0mA DC BIAS                  | WITH 20.5 mA DC BIAS                       |
| CROSSTALK, ADJACENT CHANNELS                                | 1 MHz                                | 10-100 MHz                                 |
|   | -50 dB MIN                           | -55+22*LOG <sub>10</sub> (f/10) dB MIN     |
| COMMON MODE REJECTION RATIO                                 | 2 MHz                                | 30-200 MHz                                 |
|   | -50 dB MIN                           | -15+20*LOG <sub>10</sub> (f/200) dB MIN    |
| DC RESISTANCE, 1/2 WINDING                                  | .35 OHMS MAX                         |  |
| DC RESISTANCE IMBALANCE                                     | ±.050 OHMS MAX (CENTER TAP SYMMETRY) |  |
| DC CURRENT/VOLTAGE RATING - EACH PSE PINS                   | 1.37A MAX, 57 V (CONTINUOUS)         |  |
| INPUT - OUTPUT ISOLATION                                    | 2250 VDC FOR 60 SECONDS              |  |

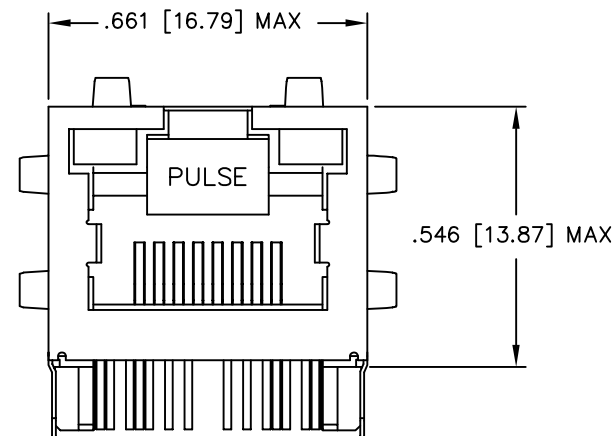
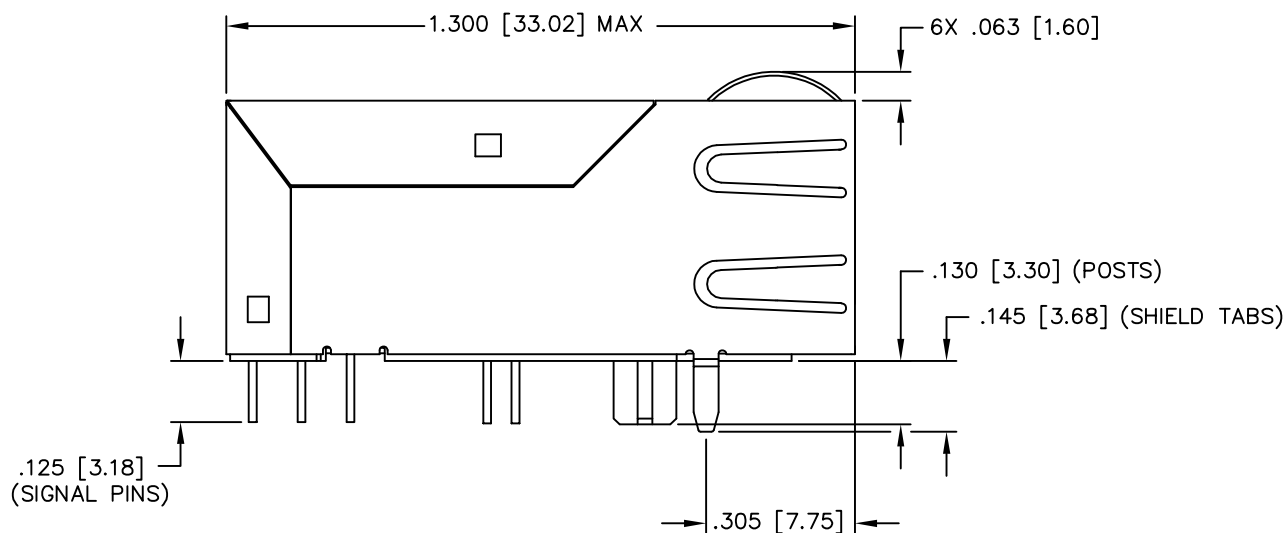
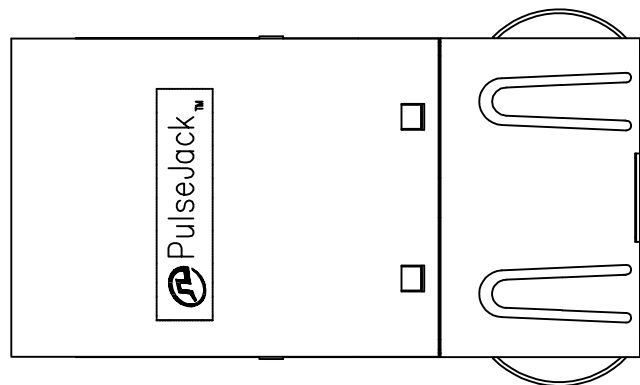
NOTE: f IS FREQUENCY IN MHZ.

| EMMITTED COLOR         | GREEN              | YELLOW              |
|------------------------|--------------------|---------------------|
| WAVELENGTH (nm)        | 568 nM             | 585 nM              |
| BRIGHTNESS (mCD)       | 8.5 TYP.<br>@ 20mA | 6.0 TYP.<br>@ 20 mA |
| VIEWING ANGLE          | 85°-100°           | 85°-100°            |
| POWER DISSIPATION (Pd) | 100 mW MAX         | 100 mW MAX          |
| DC FORWARD CURRENT     | 150 mA MAX         | 150 mA MAX          |
| FORWARD VOLTAGE (Vf)   | 2.2 TO 2.6 VOLTS   | 2.1 TO 2.6 VOLTS    |
| REVERSE VOLTAGE (Vr)   | 5.0 V MAX          | 5.0 V MAX           |

NOTE: PER VENDOR'S SPECIFICATIONS

© Copyright, 2017. Pulse Electronics Corp. All rights reserved. Pulse confidential & proprietary. (04/24/17)

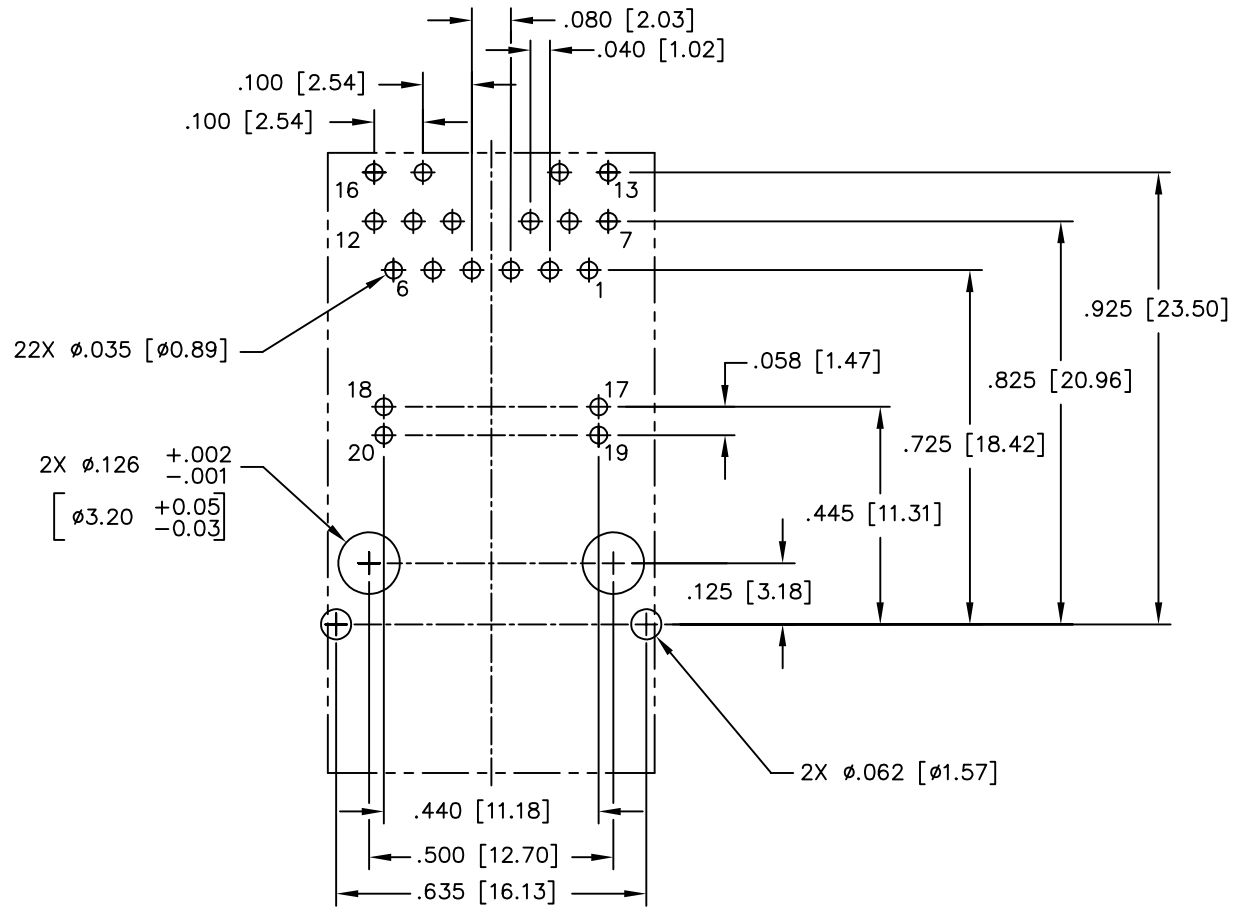
| PRODUCT DESCRIPTION       | TLA DRAWING   | PS DRAWING    | SHEET  | PART NO.   | DATASHEET REV. |
|---------------------------|---------------|---------------|--------|------------|----------------|
| CONN,RJ45,1X1,1GPP,1:1,TY | JKO-0229NL-10 | PS-2390.001-C | 2 OF 5 | JKO-0229NL | C              |



DIMENSIONS ARE IN INCHES [MILLIMETERS] WITH THE FOLLOWING  
TOLERANCES: [MILLIMETERS] ARE FOR REFERENCE ONLY.  
.XX= ±.02 [±0.5]  
.XXX= ±.010 [±0.25]

© Copyright, 2017. Pulse Electronics Corp. All rights reserved. Pulse confidential & proprietary. (04/24/17)

| PRODUCT DESCRIPTION       | TLA DRAWING   | PS DRAWING    | SHEET  | PART NO.   | DATASHEET REV. |
|---------------------------|---------------|---------------|--------|------------|----------------|
| CONN,RJ45,1X1,1GPP,1:1,TY | JKO-0229NL-10 | PS-2390.001-C | 3 OF 5 | JKO-0229NL | C              |



FRONT OF CONNECTOR

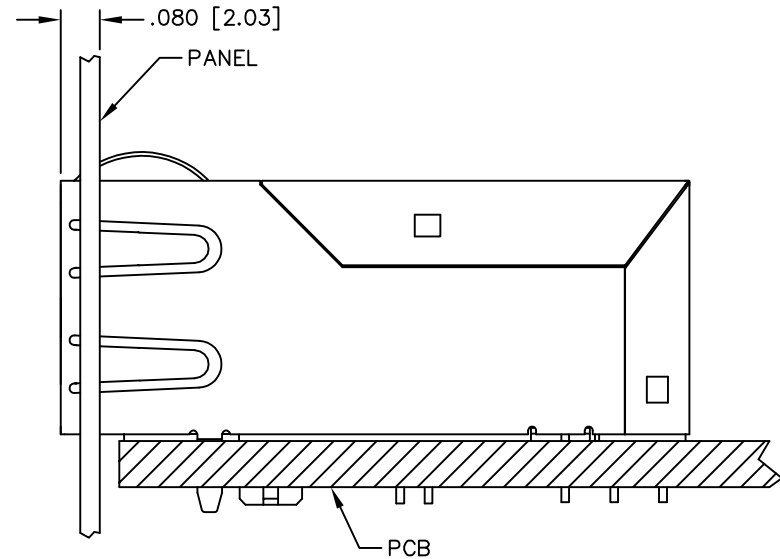
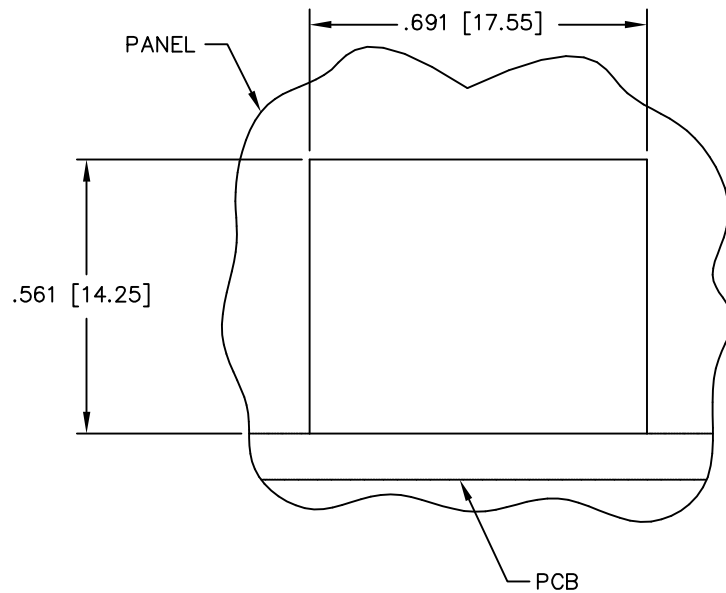
SUGGESTED PCB LAYOUT  
(COMPONENT SIDE SHOWN)

DIMENSIONAL TOLERANCE:  
.XXX ±.003 [X.XX ±0.08]

DIMENSIONS ARE IN INCHES [MILLIMETERS] WITH THE FOLLOWING  
TOLERANCES: [MILLIMETERS] ARE FOR REFERENCE ONLY.  
.XX= ±.02 [±0.5]  
.XXX= ±.010 [±0.25]

© Copyright, 2017. Pulse Electronics Corp. All rights reserved. Pulse confidential & proprietary. (04/24/17)

| PRODUCT DESCRIPTION       | TLA DRAWING   | PS DRAWING    | SHEET  | PART NO.   | DATASHEET REV. |
|---------------------------|---------------|---------------|--------|------------|----------------|
| CONN,RJ45,1X1,1GPP,1:1,TY | JKO-0229NL-10 | PS-2390.001-C | 4 OF 5 | JKO-0229NL | C              |



SUGGESTED PANEL CUTOUT

DIMENSIONS ARE IN INCHES [MILLIMETERS] WITH THE FOLLOWING TOLERANCES: [MILLIMETERS] ARE FOR REFERENCE ONLY.

.XX= ±.02 [±0.5]  
.XXX= ±.010 [±0.25]

© Copyright, 2017. Pulse Electronics Corp. All rights reserved. Pulse confidential & proprietary. (04/24/17)

| PRODUCT DESCRIPTION       | TLA DRAWING   | PS DRAWING    | SHEET  | PART NO.   | DATASHEET REV. |
|---------------------------|---------------|---------------|--------|------------|----------------|
| CONN,RJ45,1X1,1GPP,1:1,TY | JKO-0229NL-10 | PS-2390.001-C | 5 OF 5 | JKO-0229NL | C              |