

NOTE: 1. ELECTRIC PERFORMANCE.
 DIELECTRIC STRENGTH: 500V DC/0.01Sec.
 INSULATION RESISTANCE: 100M OHMS Min.
 CONNECTION RESISTANCE: 2 OHMS Max.

2. HOUSING 687520000:
 POLYESTER(PBT), UL94V-0(BLACK)
 TERMINAL 675810000
 AU FLASH PLATING

887511311	675810001 30u" Gold-plated
887511310	675810000 GOLD FLASH
MATERIAL NO.	TERMINAL

TABLE

4	UL1007 *18 BLK 887711300
3	UL1007 *18 RED 887711301
2	UL1007 *18 BLK 887711300
1	UL1007 *18 YEL 887711303
Item	WIRE TYPE

CONNECTION DIAGRAM

EC NO: DG2008-0074 DRWN: ZWSHAO CHKD: APPR: BLAU	DESCRIPTION 2008/02/20 2008/02/20 2008/02/21	QUALITY SYMBOLS	GENERAL TOLERANCES (UNLESS SPECIFIED)	DIMENSION STYLE	SCALE	DESIGN UNITS	THIRD ANGLE PROJECTION																		
		$\nabla=0$ $\sphericalcap=0$	<table border="1"> <tr> <th></th> <th>mm</th> <th>INCH</th> </tr> <tr> <td>4 PLACES</td> <td>± ---</td> <td>± ---</td> </tr> <tr> <td>3 PLACES</td> <td>± ---</td> <td>± ---</td> </tr> <tr> <td>2 PLACES</td> <td>± ---</td> <td>± ---</td> </tr> <tr> <td>1 PLACE</td> <td>± ---</td> <td>± ---</td> </tr> <tr> <td colspan="3">ANGULAR ± ---°</td> </tr> </table>		mm	INCH	4 PLACES	± ---	± ---	3 PLACES	± ---	± ---	2 PLACES	± ---	± ---	1 PLACE	± ---	± ---	ANGULAR ± ---°			MM ONLY	---	METRIC	
			mm	INCH																					
		4 PLACES	± ---	± ---																					
3 PLACES	± ---	± ---																							
2 PLACES	± ---	± ---																							
1 PLACE	± ---	± ---																							
ANGULAR ± ---°																									
	DRAWN BY	DATE	TITLE																						
	ZWSHAO	2008/02/20	SATA POWER CABLE																						
	CHECKED BY	DATE	MOLEX INCORPORATED																						
	ARKAN	2008/02/20	DOCUMENT NO. SD-88755-001																						
	APPROVED BY	DATE	SHEET NO. 1 OF 1																						
	BLAU	2008/02/20	THIS DRAWING CONTAINS INFORMATION THAT IS PROPRIETARY TO MOLEX INCORPORATED AND SHOULD NOT BE USED WITHOUT WRITTEN PERMISSION																						
	MATERIAL NO.	887511310/887511311																							
	SIZE	A4																							

6

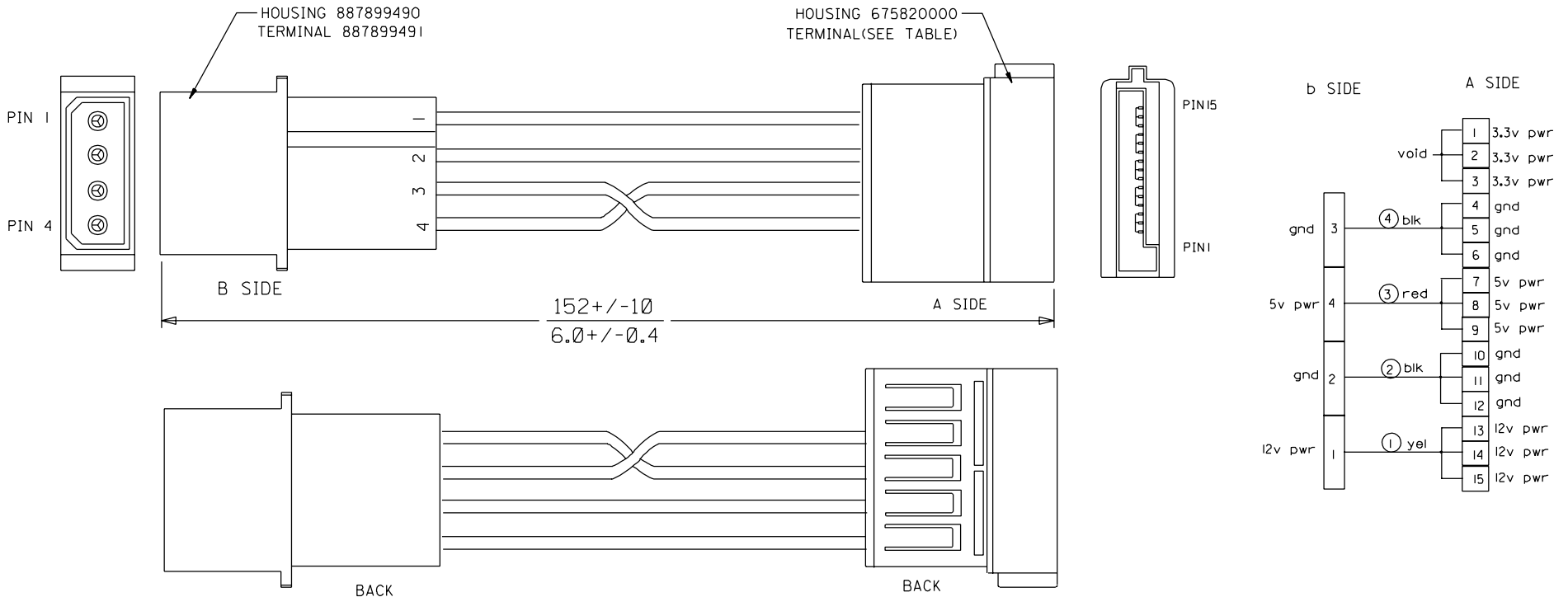
5

4

3

2

1



NOTE: 1. ELECTRIC PERFORMANCE:
 DIELECTRONIC STRENGTH: 500 V DC/0.01Sec.
 INSULATION RESISTANCE: 100M OHMS Min.
 CONDUCTIVE RESISTANCE: 2 OHMS Max.

2. HOUSING 675820000:
 POLYESTER(PBT), UL94V-0(BLACK)

887511311	675810001 30u" Gold-plated
887511310	675810000 GOLD FLASH
MATERIAL NO.	TERMINAL

TABLE

4	UL1007 #18 BLK 887711300
3	UL1007 #18 RED 887711301
2	UL1007 #18 BLK 887711300
1	UL1007 #18 YEL 887711303
Item	WIRE TYPE

CONNECTION DIAGRAM			
DIMENSIONS:	<input checked="" type="checkbox"/> mm	<input type="checkbox"/> INCH	<input type="checkbox"/> mm
	<input type="checkbox"/> INCH	<input type="checkbox"/> mm	<input type="checkbox"/> ONLY
SHT	REV	REVISE ON CAD ONLY	

EC NO. DRWN: Louis 04/03/23 CHK: APPR:	EC NO. DRWN: BENTZ 02/08/08 CHK: APPR:	DESCRIPTION REV	QUALITY SYMBOLS MAJOR ▼ = 0 CRITICAL ▽ = 0	GENERAL TOLERANCES: (UNLESS SPECIFIED)		SCALE	DESIGN UNITS <input checked="" type="checkbox"/> mm <input type="checkbox"/> INCH	THIRD ANGLE PROJECTION <input checked="" type="checkbox"/> <input type="checkbox"/>	TITLE: S-ATA POWER ADAPTER CABLE ASSEMBLY, 6 INCH (5V+12V)	MATERIAL NO. SEE TABLE	DRAWING NO. SD-88755-001	SHEET NO. 1 OF 1
				4 PLACES	±0.	±.	DRAWN BY & DATE BENTZ 02/08/08					
				3 PLACES	±0.	±.	CHECKED BY & DATE Tony Wong 02/08/08	MOLEX INCORPORATED				
				2 PLACES	±0.	±.	APPROVED BY & DATE Tony Wong 02/08/08					
				1 PLACE	±0.	±.	CAD FILENAME S88755AA.S01	THIS DRAWING CONTAINS INFORMATION THAT IS PROPRIETARY TO MOLEX INCORPORATED AND SHOULD NOT BE USED WITHOUT WRITTEN PERMISSION.				
				ANGULAR: ±	°	SIZE A4						