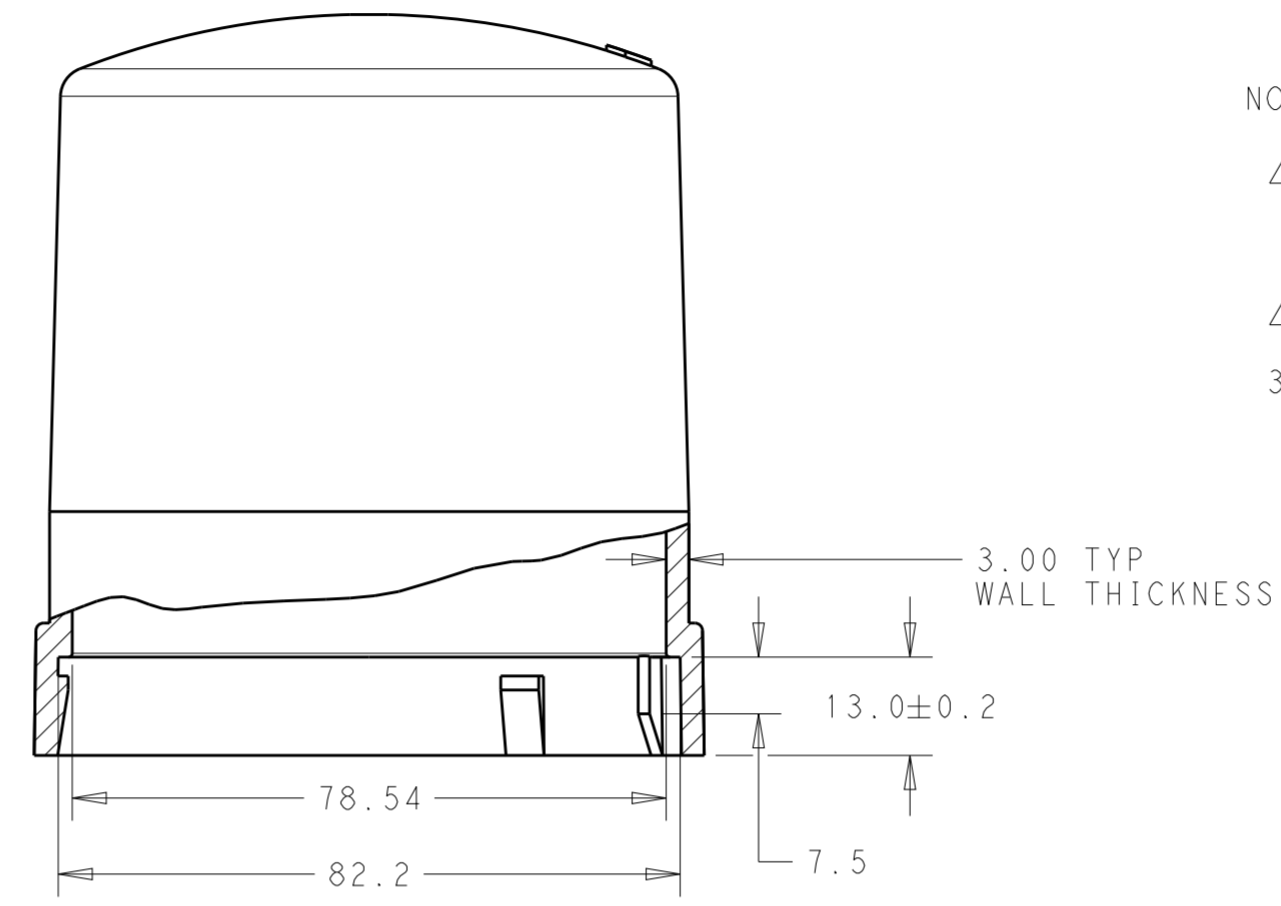
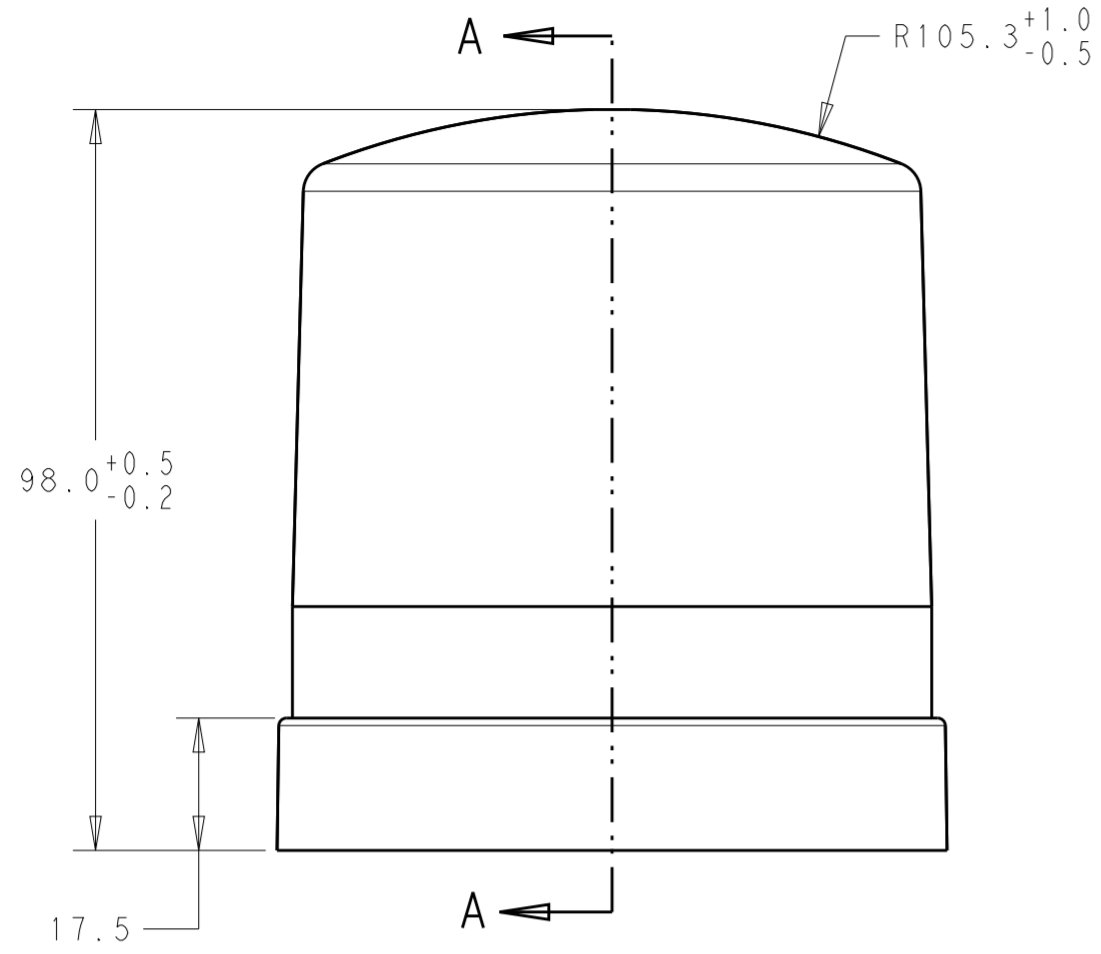


THIS DRAWING IS UNPUBLISHED. RELEASED FOR PUBLICATION 20
 © COPYRIGHT 20 BY - ALL RIGHTS RESERVED.

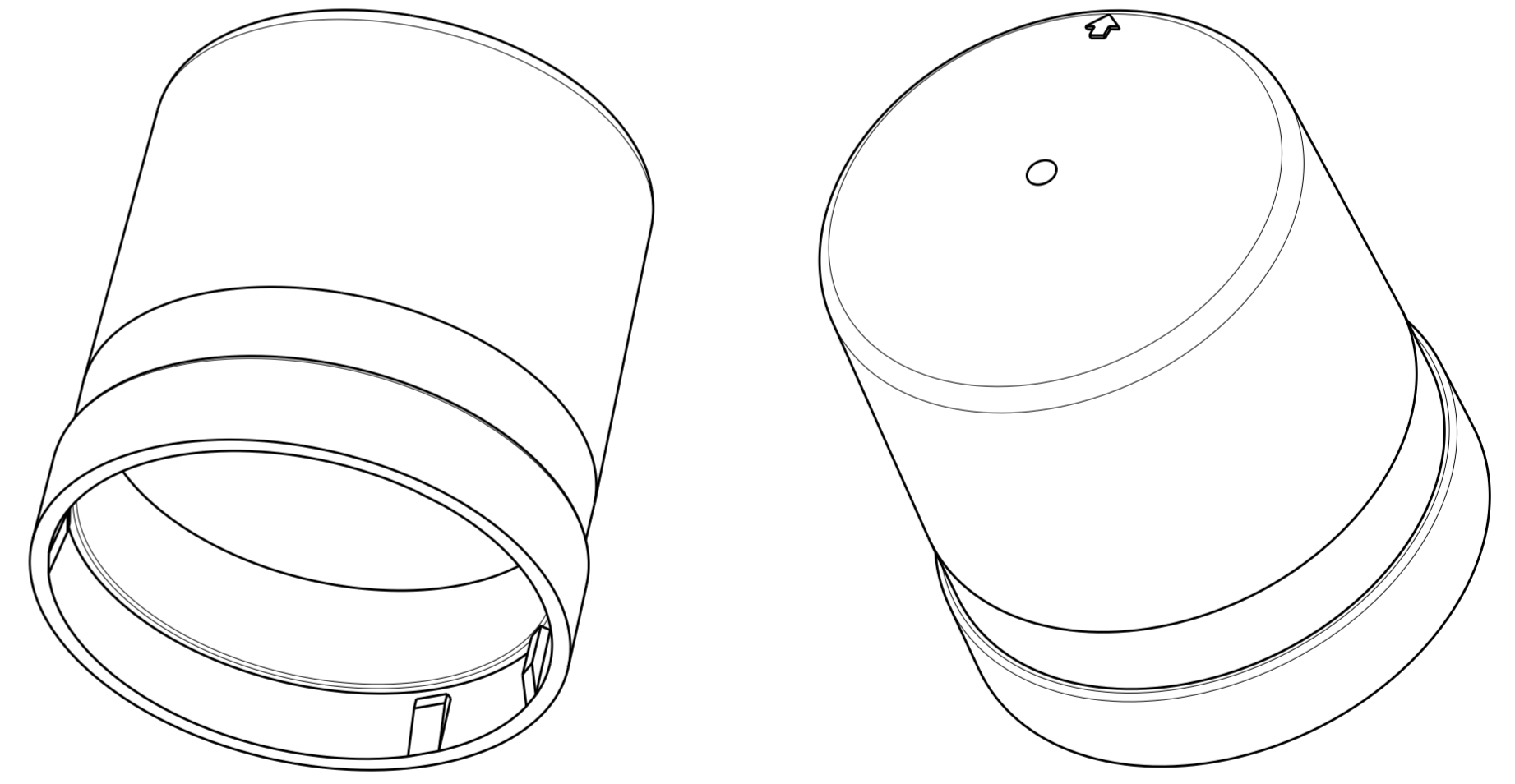
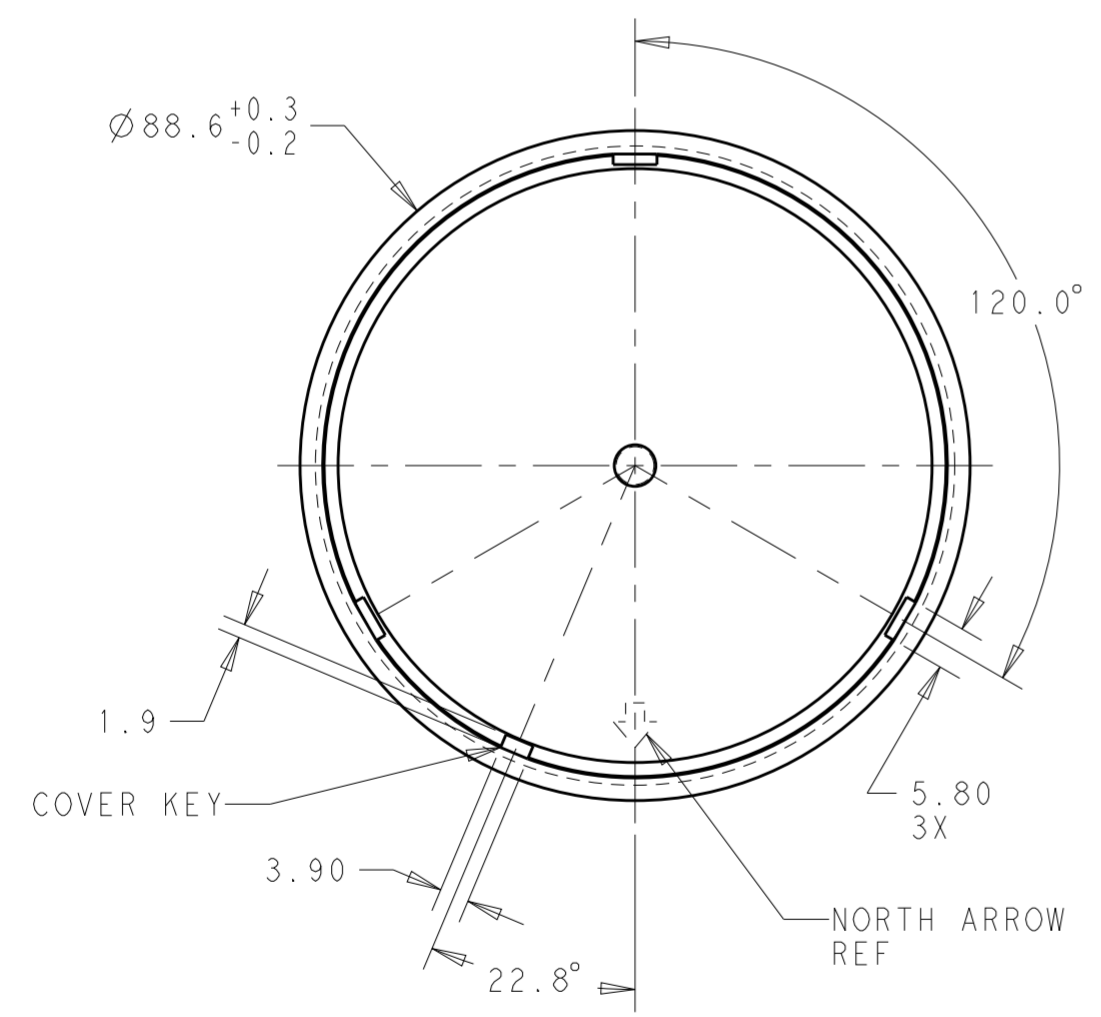
REVISIONS					
P	LTR	DESCRIPTION	DATE	DWN	APVD
A		REVISED PER ECO-17-010638	21JUL2017	RK	DD
A1		REVISED PER ECO-XX-XXXXXX	27JUN2018	JS	JL



SECTION A-A

NOTES:

- 1 MATERIALS:
HOUSING: POLYCARBONATE, UV 5VA RATED
COLOR: SEE TABLE
- 2 MATING BASE TE P/N: 2213871-2,1-2213871-2.
- 3. THIS PRODUCT HAS NOT COMPLETED VALIDATION TESTING.



TRANSMISSION	COLOR	PART NO.
78%	TRANSPARENT CLEAR	1-2306130-1
26%	TRANSLUCENT GRAY	2306130-2
24%	TRANSPARENT SMOKE GRAY	2306130-1

THIS DRAWING IS A CONTROLLED DOCUMENT.		DWN J. SHAFFER 07JUL2016	TE Connectivity	
		CHK E. HOWARD 07JUL2016		
DIMENSIONS: mm 		TOLERANCES UNLESS OTHERWISE SPECIFIED: 0 PLC ± 1 PLC ±0.2 2 PLC ±0.13 3 PLC ± 4 PLC ± ANGLES ±3° FINISH		NAME COVER, LIGHT CONTROLLER 81mm DIA, MEDIUM
MATERIAL		PRODUCT SPEC 108-32125	SIZE A2	RESTRICTED TO
		APPLICATION SPEC 11432159	CAGE CODE -	DRAWING NO. C-2306130
		WEIGHT -	SCALE 1:1	SHEET 1 OF 1
		CUSTOMER DRAWING	REV A1	