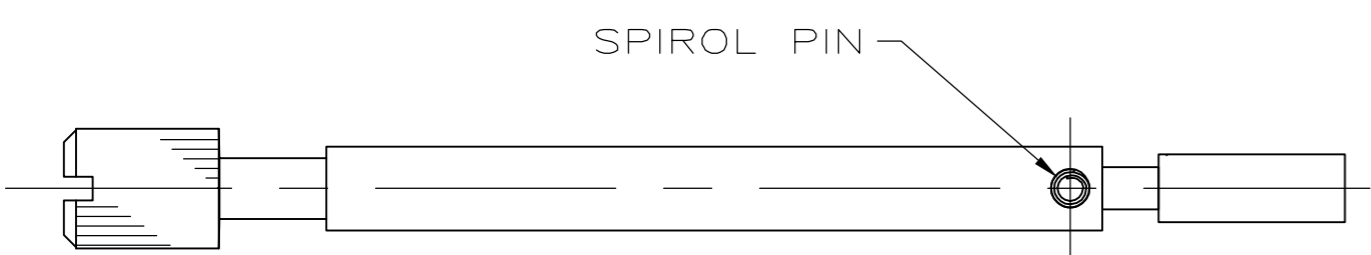
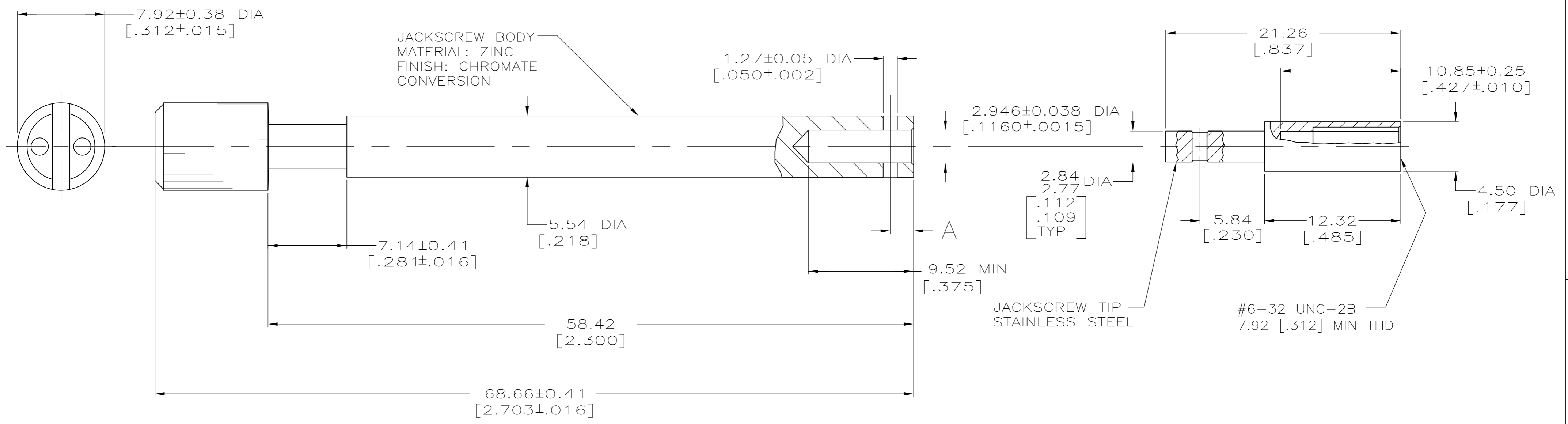


THIS DRAWING IS UNPUBLISHED. RELEASED FOR PUBLICATION
 © COPYRIGHT BY TYCO ELECTRONICS CORPORATION. ALL RIGHTS RESERVED.

LOC	DIST	REVISIONS					
FT	0	P	LTR	DESCRIPTION	DATE	DWN	APVD
		B1		REVISED PER ECO-06-25037	11/7/06	SS	GS



ASSEMBLED VIEW

- ⚠ CHROMATE CONVERSION WITH HEXAVALENT CHROMATE.
- ⚠ CHROMATE CONVERSION WITHOUT HEXAVALENT CHROMATE.

	⚠	3.38 [.113]	207235-5
OBSOLETE	⚠	2.11 [.083]	207235-3
	⚠	3.38 [.113]	207235-1
NOTE	A	PART NUMBER	

THIS DRAWING IS A CONTROLLED DOCUMENT.		DWN	B. CARBO	14 MAR 96	 Tyco Electronics Corporation Harrisburg, PA 17105-3608	
DIMENSIONS: mm [INCHES]		CHK	R. STONE	18 MAR 96		
TOLERANCES UNLESS OTHERWISE SPECIFIED:		APVD	G. STEINHAUER	17 APR 96		
0 PLC ± - 1 PLC ± - 2 PLC ± 0.13 [.005] 3 PLC ± - 4 PLC ± - ANGLES ± - FINISH -		PRODUCT SPEC	-			
MATERIAL		APPLICATION SPEC	-		NAME	JACKSCREW KIT, UNASSEMBLED, FEMALE, LONG, FOR 75 & 104 POS SHIELD, M SERIES
		WEIGHT	-		SIZE	A2
		CUSTOMER DRAWING			CAGE CODE	00779
					DRAWING NO	C=207235
					RESTRICTED TO	-
					SCALE	4:1
					SHEET	1 of 1
					REV	B1