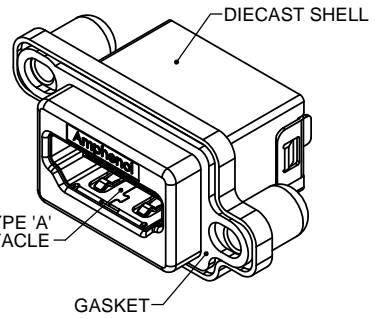
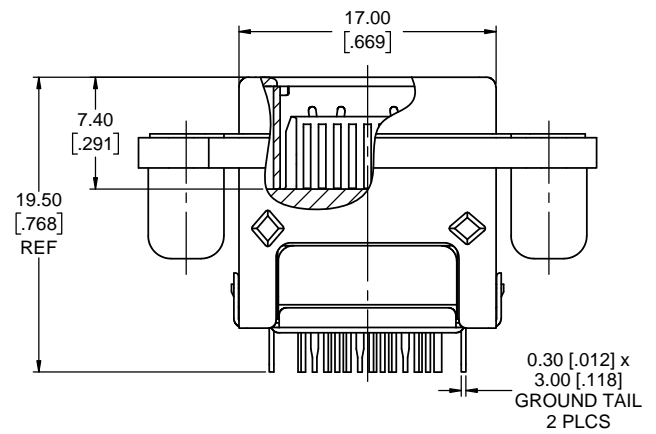
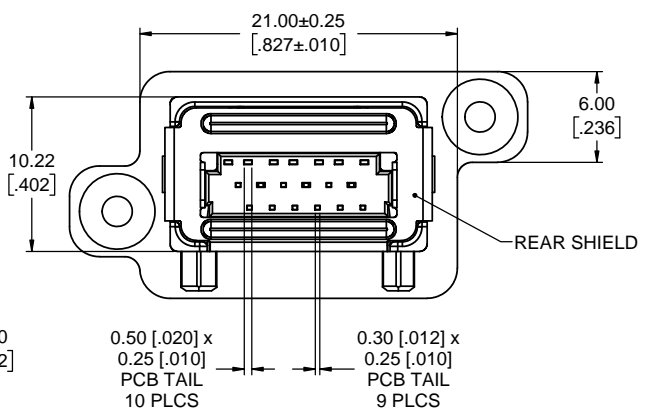
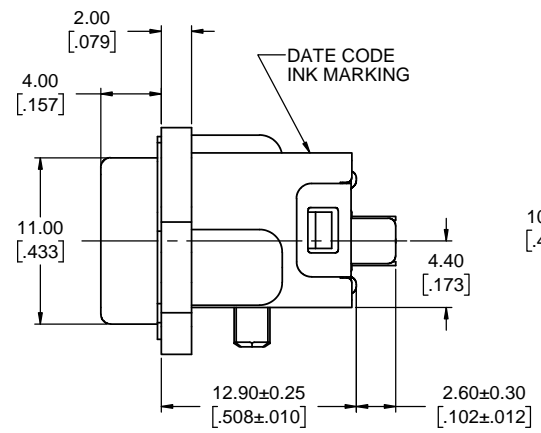
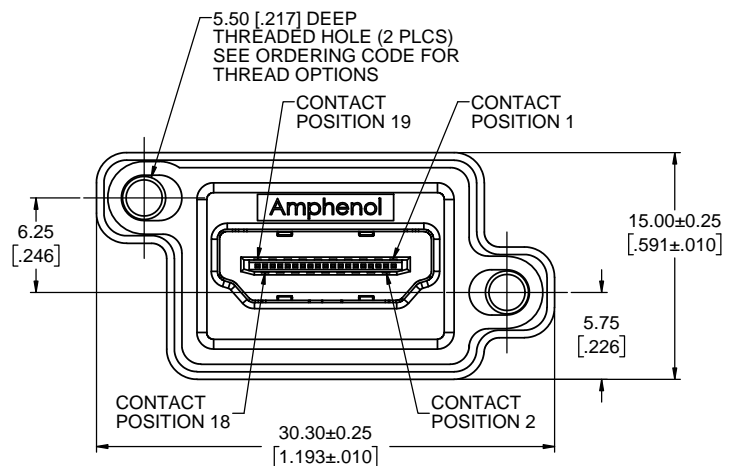


REVISIONS			
REV	DESCRIPTION, ECN, EAR NO.	DATE	APPD
A	PROPOSAL DRAWING (EAR 14342)	FEB6/15	K.L.
B	PRODUCT DRAWING (EAR 14599)	AUG30/17	K.L.



**NOTES:**

- MATERIAL:**
  - ALL MATERIALS ARE RoHS COMPLIANT PER EU DIRECTIVE 2011/65/EU AND AMENDMENTS
  - OUTER SHELL - DIECAST ZINC ALLOY, MATTE TIN OVER NICKEL PLATED
  - CONTACTS - COPPER ALLOY, PLATED WITH 0.76µm (30µ") GOLD OVER 1.27µm (50µ") MINIMUM NICKEL ON THE MATING AREA WITH MATTE TIN OVER NICKEL ON THE TAILS.
  - HDMI HOUSING - ENGINEERING THERMOPLASTIC, HIGH TEMPERATURE RESISTANT, FLAMMABILITY RATING UL94V-0, BLACK
  - HDMI SHIELD - STAINLESS STEEL, PASSIVATED
  - REAR SHIELD - STAINLESS STEEL, TIN OVER NICKEL PLATED
  - GASKET - CONDUCTIVE SILICONE RUBBER, BLACK
  - DUST COVER - SILICONE RUBBER WITH NICKEL PLATED BRASS BUSHING. SEE ORDERING CODE FOR COLOUR OPTION.
- ENVIRONMENTAL PERFORMANCE PER IEC 60529 CODE IP67 FOR SEAL BETWEEN MATING AREA AND PCB SIDE OF CONNECTOR. GASKET PROVIDES SEAL TO INSIDE FACE OF ENCLOSURE PANEL.
- CURRENT & VOLTAGE RATING: 0.5 AMPERES, 40 VAC RMS.
- CONTACT RESISTANCE: 10 MILLIOHMS MAXIMUM, INITIAL.
- OPERATING TEMPERATURE: -55°C TO +105°C.
- DUST COVER MAY BE ORDERED SEPARATELY, SPECIFY
  - PART NUMBER MHDR-2A11-004BP FOR GREY COVER
  - PART NUMBER MHDR-2A11-014BP FOR BLACK COVER

**ORDERING CODE: MHDR - A511 - XX**

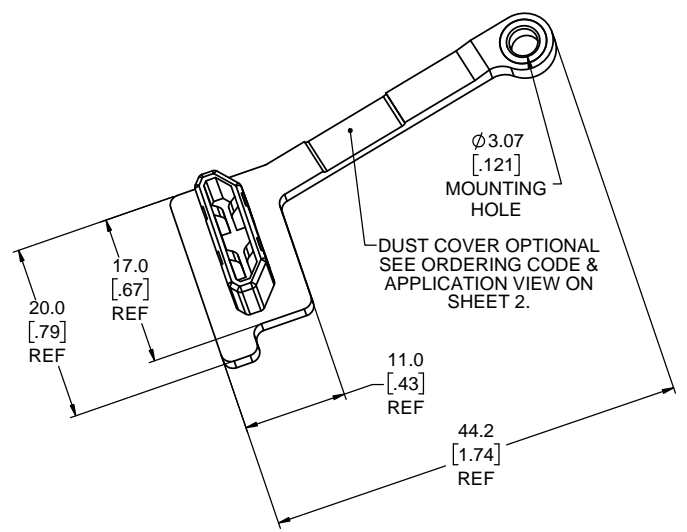
SERIES, RUGGED HDMI

HDMI TYPE 'A' RECEPTACLE, SINGLE PORT, VERTICAL PCB TAIL

THREAD OPTION  
 3 = #4-40 UNC THREAD  
 M = M3 x 0.5 THREAD

DUST COVER OPTION  
 0 = NO DUST COVER SUPPLIED  
 1 = WITH GREY DUST COVER SUPPLIED  
 2 = WITH BLACK DUST COVER SUPPLIED

**SPECIAL CONNECTORS**  
 MANY UNIQUE FEATURES ARE READILY AVAILABLE TO SUIT CUSTOMER REQUIREMENTS. CONSULT WITH AMPHENOL CANADA FOR DETAILS.



UNLESS SPECIFIED OTHERWISE	DRAWN	B.COPPING	FEB6/15
PRIMARY UNITS MILLIMETERS	CHECKED		
SECONDARY INCHES	M.E. APPD		
REFERENCE IN PARENTHESES	Q.A. APPD		
GENERAL TOLERANCES	DWG APPR.	K.LAMBIE	FEB6/15
1 DECIMAL PLACE	ENG. REL. NO.	EAR 14342	
2 DECIMAL PLACES ±0.15	REF.		
3 DECIMAL PLACES	THIRD ANGLE PROJECTION		
ANGULAR DEGREES	DO NOT SCALE DRAWING		

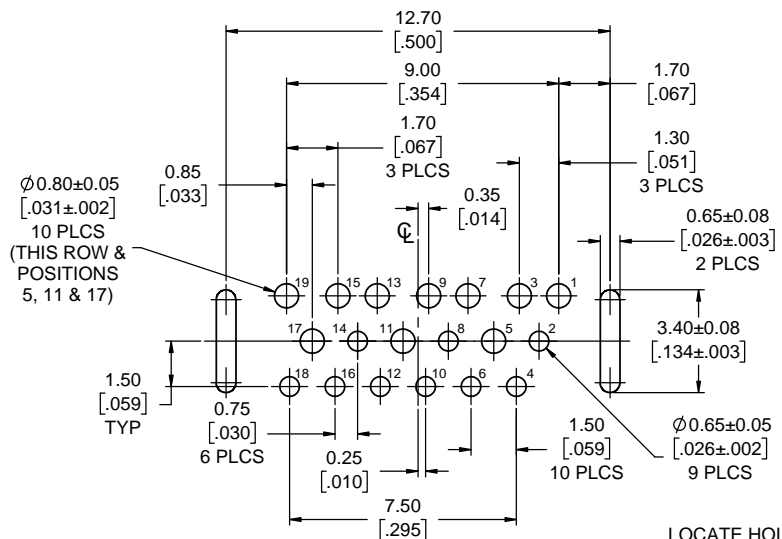
**Amphenol Canada Corp.**  
[www.amphenolcanada.com](http://www.amphenolcanada.com)

MHDR SERIES, RUGGED HDMI TYPE A RECEPTACLE, VERTICAL PCB TAIL, THREAD & DUST COVER OPTIONS, RoHS COMPLIANT

DWG. NO. P-MHDR-A511-XX REV B

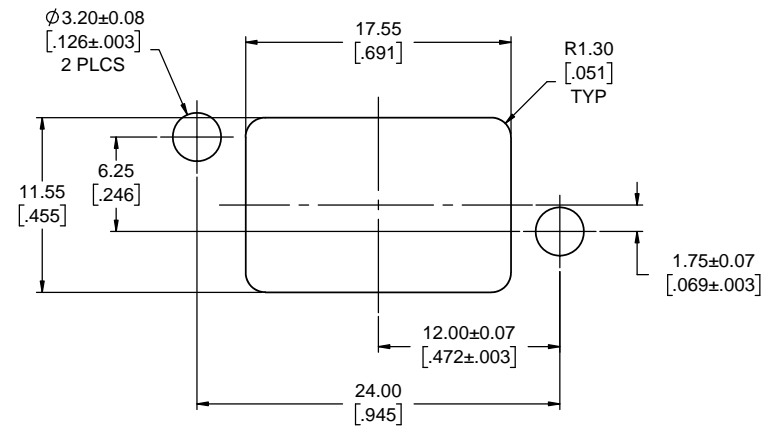
CODE ID NO. 03554 DWG SIZE: X SCALE: 4:1 SHEET 1 OF 2

REVISIONS			
REV	DESCRIPTION, ECN, EAR NO.	DATE	APPD
A	PROPOSAL DRAWING (EAR 14342)	FEB6/15	K.L.
B	PRODUCT DRAWING (EAR 14599)	AUG30/17	K.L.

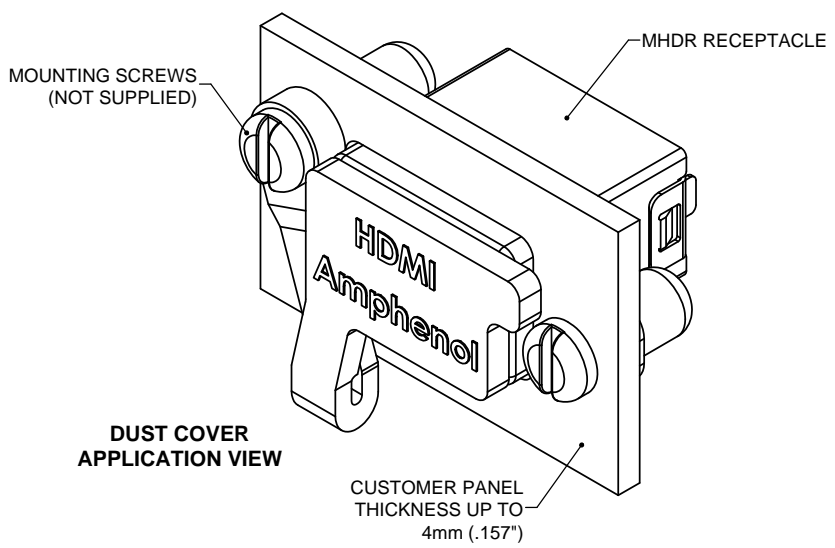


**RECOMMENDED PCB LAYOUT**  
COMPONENT SIDE OF BOARD

LOCATE HOLES  
 $\varnothing 0.13$  [.005] DIA  
 POSITION DIMENSIONS  
 ARE BASIC



**RECOMMENDED PANEL CUTOUT**



**DUST COVER APPLICATION VIEW**



UNLESS SPECIFIED OTHERWISE	DRAWN	B.COPPING	FEB6/15
PRIMARY UNITS MILLIMETERS	CHECKED		
SECONDARY INCHES	M.E. APPD		
REFERENCE IN PARENTHESES	Q.A. APPD		
GENERAL TOLERANCES	DWG APPR.	K.LAMBIE	FEB6/15
1 DECIMAL PLACE	ENG. REL. NO.	EAR 14342	
2 DECIMAL PLACES ±0.15	REF.		
3 DECIMAL PLACES	THIRD ANGLE PROJECTION		
ANGULAR DEGREES	DO NOT SCALE DRAWING		

**Amphenol Canada Corp.**  
[www.amphenolcanada.com](http://www.amphenolcanada.com)  
 MHDR SERIES, RUGGED HDMI TYPE A RECEPTACLE, VERTICAL PCB TAIL, THREAD & DUST COVER OPTIONS, RoHS COMPLIANT

DWG. NO. **P-MHDR-A511-XX** REV **B**

CODE ID NO. 03554 | DWG SIZE: X | SCALE: 4:1 | SHEET 2 OF 2