

MATERIALS AND FINISHES

BODY ZINC ALLOY
PLATED NICKEL

CENTER CONTACT PHOSPHOR BRONZE
PLATED GOLD

INSULATOR POLYPROPYLENE (94 V-2)

HOUSING POLYESTER BUTLYENE TEREPHTHALATE
COLOR WHITE

MOUNTING POST BRASS
PLATED TIN

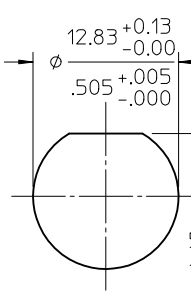
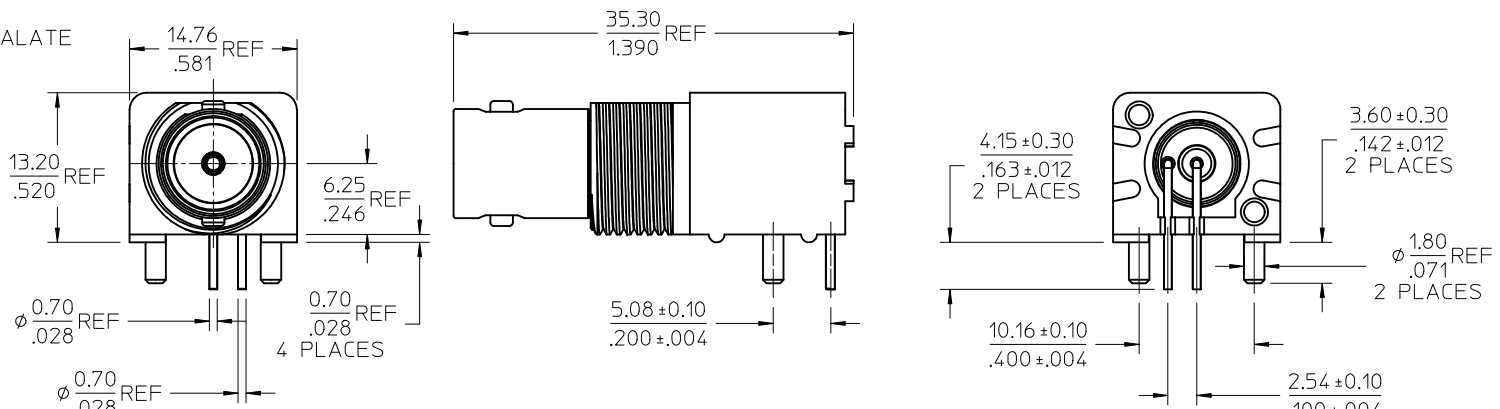
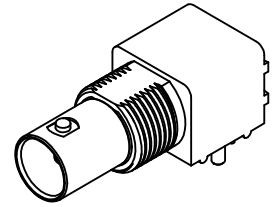
SOLDER TAIL BRASS WIRE
PLATED TIN

LOCKWASHER PHOSPHOR BRONZE
PLATED NICKEL

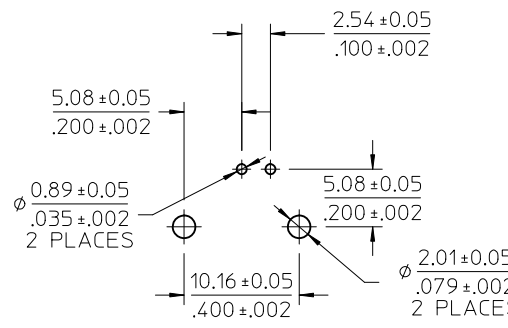
JAM NUT BRASS
PLATED NICKEL

BNC JACK
INTERFACE
75 OHM

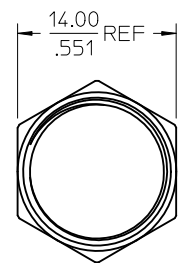
1/2-28 UNEF-2A



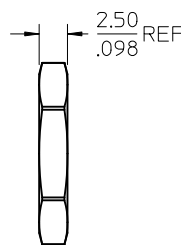
RECOMMENDED MOUNTING HOLE
PANEL THICKNESS: 5.50(.217) MAX
RECOMMENDED MOUNTING TORQUE:
0.56 N-m(5 INCH-LBS)



RECOMMENDED PCB LAYOUT



JAM NUT



LOCKWASHER

| | |
|---------------|--------------|
| PS-89675-1030 | ELECT / MECH |
| SPECIFICATION | DESCRIPTION |

| | |
|------------|-------------------------|
| 73171-2990 | 73100-0069, ONE PER BAG |
| 73100-0069 | PLASTIC TRAYS |
| PART NO. | PACKAGING |

| | | |
|------------------------------|---------------------|------------|
| CHG: PS WAS PS-73598-0051 | EC NO: URF2012-0549 | 2012/03/14 |
| DRWN: WIENER | CHKD: SSS | 2012/03/14 |
| APPR: WIENER | DESCRIPTION | 2012/03/20 |
| REV: A2 | | |

| | |
|-----------------|--|
| QUALITY SYMBOLS | GENERAL TOLERANCES (UNLESS SPECIFIED) |
| ▽=0 | mm INCH |
| ▽=0 | 4 PLACES ± --- ± --- |
| | 3 PLACES ± --- ± --- |
| | 2 PLACES ± --- ± --- |
| | 1 PLACE ± --- ± --- |
| | ANGULAR ± 2 ° |
| | DRAFT WHERE APPLICABLE MUST REMAIN WITHIN DIMENSIONS |

| | |
|-----------------|---------------|
| DIMENSION STYLE | SCALE |
| MM/IN | METRIC |
| DRAWN BY | DATE |
| CHECKED BY | DATE |
| APPROVED BY | DATE |
| MATERIAL NO. | DOCUMENT NO. |
| SEE TABLE | SD-73100-0069 |

| | |
|---|------------------------|
| DESIGN UNITS | THIRD ANGLE PROJECTION |
| METRIC | |
| BNC JACK, R/A, PCB RECEPTACLE, 75 OHMS BNC-J/RA/PCB | |
| MOLEX INCORPORATED | |
| SHEET NO. | 1 OF 1 |
| THIS DRAWING CONTAINS INFORMATION THAT IS PROPRIETARY TO MOLEX INCORPORATED AND SHOULD NOT BE USED WITHOUT WRITTEN PERMISSION | |