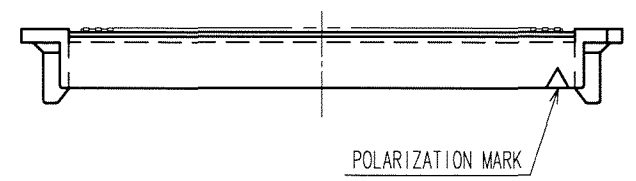
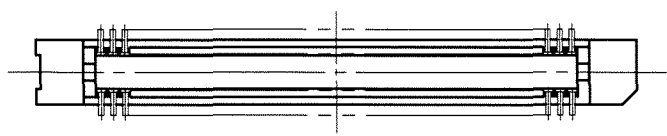
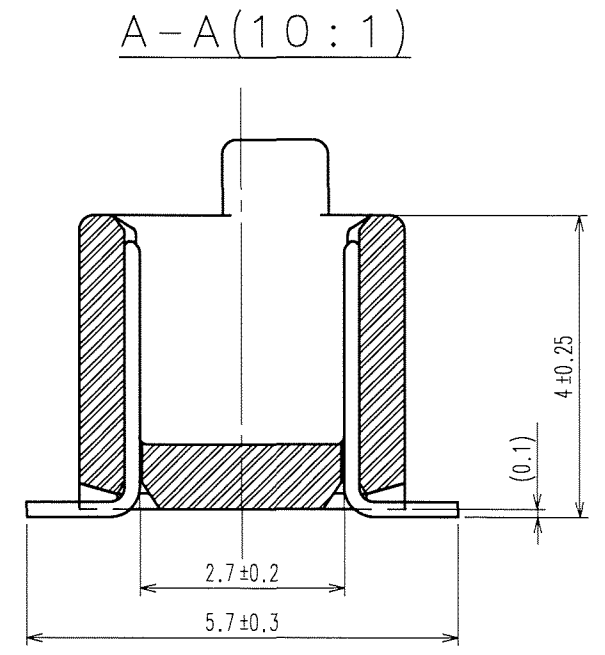
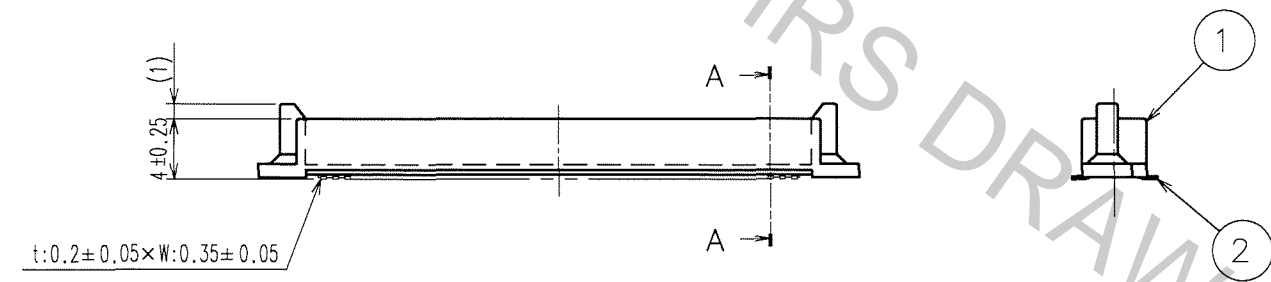
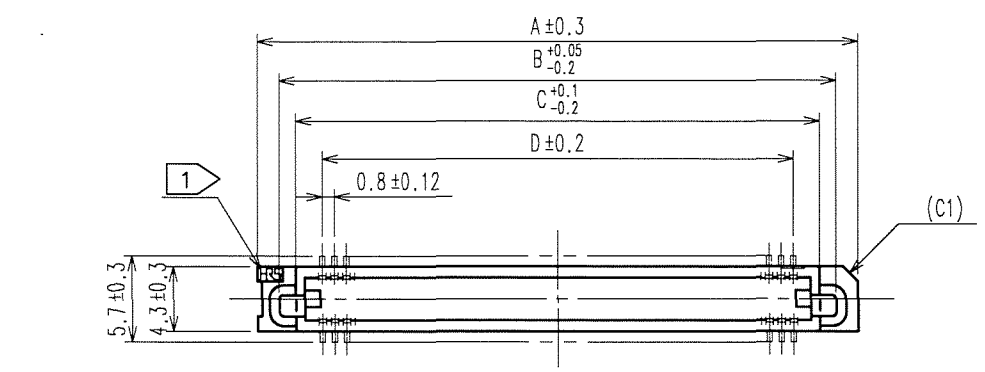
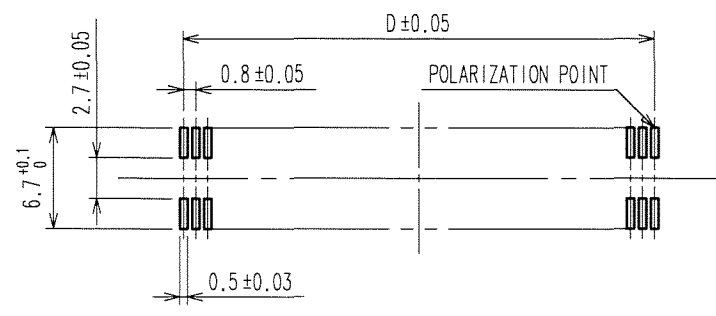


Apr.1.2017 Copyright 2017 HIROSE ELECTRIC CO., LTD. All Rights Reserved.

COUNT	DESCRIPTION OF REVISIONS	BY	CHKD	DATE	COUNT	DESCRIPTION OF REVISIONS	BY	CHKD	DATE
4	DIS-F-000841	S.K	H.O	06.03.07					



RECOMMENDED P.C.B. LAND PATTERN (MOUNT SIDE)



DIMENSION TABLE OF CONNECTOR AND P.C.B. LAND PATTERN.

PART No.	CODE No.	7	8	A	B	C	D
FX6A- 20P-0.8SV(93)	CL576-0201-2-93	20	X	15.8	12.9	10.7	7.2
FX6A- 40P-0.8SV(93)	—	40	—	23.8	20.9	18.7	15.2
FX6A- 50P-0.8SV(93)	CL576-0204-0-93	50	X	27.8	24.9	22.7	19.2
FX6A- 60P-0.8SV(93)	—	60	—	31.8	28.9	26.7	23.2
FX6A- 80P-0.8SV(93)	CL576-0207-9-93	80	X	39.8	36.9	34.7	31.2
FX6A-100P-0.8SV(93)	—	100	—	47.8	44.9	42.7	39.2

- NOTE
- 1 HRS MARK SHALL BE OPTIONAL.
 - 2 LEAD CO-PLANARITY SHALL BE 0.1mm MAX.
 - 3 THE DIMENSIONS IN PARENTHESES ARE FOR REFERENCE.
 - 4 EMBOSSED CARRIER TAPE PACKAGING SHALL BE APPLIED FOR THIS PRODUCT. SEE NEXT PAGE FOR DETAILS.
 - 5 THIS PRODUCT HAS TAPE FOR VACUUM PICKUP. SEE NEXT PAGE FOR DETAIL OF STICKING POSITION, ETC.
 - 6 FOR MODIFICATION, ETC., PREVENTIVE HOLE FOR SINK MARK MAY BE ADDED ACCORDING TO CIRCUMSTANCES.
 - 7 NUMBER OF CONTACTS.
 - 8 PRODUCTS MARKED X ARE AVAILABLE.

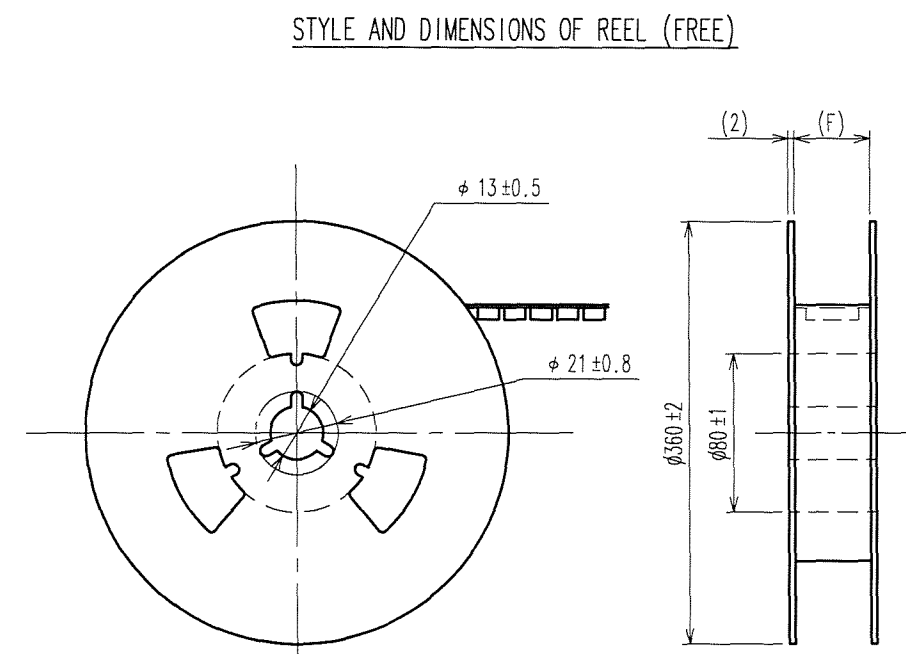
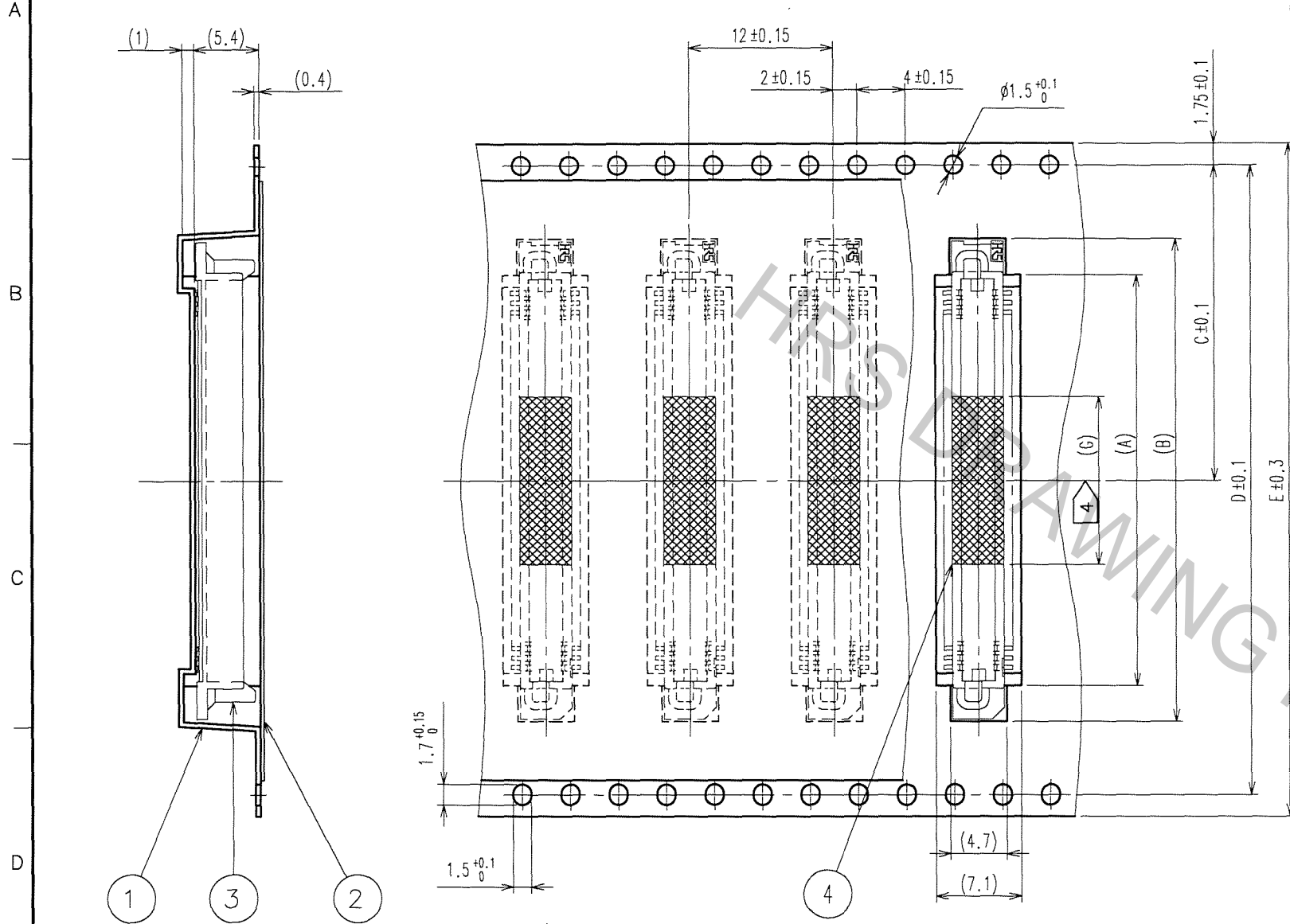
1	PPS	LIGHT BROWN (UL94V-0)	2	PHOSPHOR BRONZE	CONTACT AREA: GOLD 0.1μm min. LEAD AREA: GOLD PLATING FLASH UNDER PLATING: NICKEL 1.5μm min.	
NO.	MATERIAL	FINISH, REMARKS	NO.	MATERIAL	FINISH, REMARKS	
CODE NO. (OLD)		DRAWN	DESIGNED	CHECKED	APPROVED	RELEASED
		T. YANAGISAWA	T. NODA	H. OZAWA	H. OKAWA	
		'05.07.25	'05.08.04	'05.08.04	'05.08.05	
DRAWING NO.		PART NO.				
EDC3-152946-23		FX6A-*P-0.8SV(93)				
SCALE		CODE NO.				
FREE		CL576				
UNITS						
mm						

TO
PCK

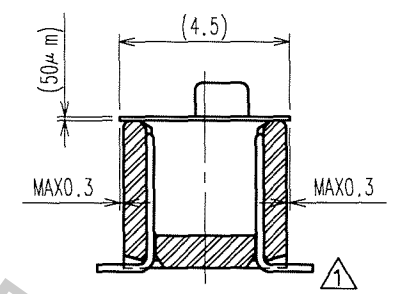
1/2

Apr.1.2017 Copyright 2017 HIROSE ELECTRIC CO., LTD. All Rights Reserved.

COUNT	DESCRIPTION OF REVISIONS	BY	CHKD	DATE	COUNT	DESCRIPTION OF REVISIONS	BY	CHKD	DATE

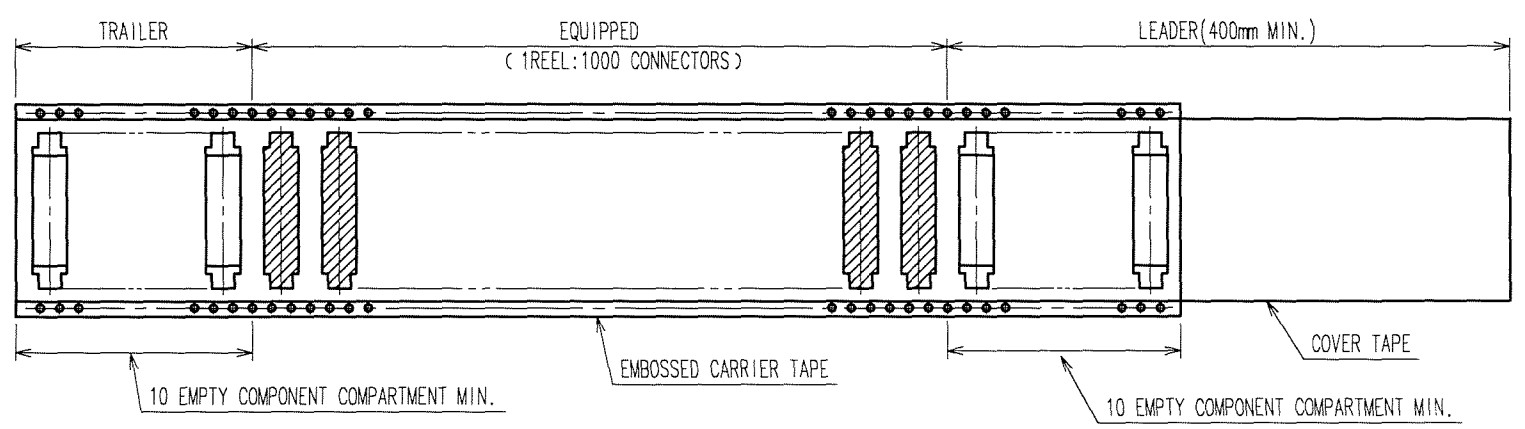


DETAIL OF TAPE FOR VACUUM PICK-UP (5 : 1)



DIMENSION TABLE OF EMBOSSED CARRIER TAPE AND REEL ^①

PART No.	CODE No.	②	③	A	B	C	D	E	F	G
FX6A-20P-0.8SV(93)	CL576-0201-2-93	20	X	10.2	16.2	11.5	—	24	24.4	7
FX6A-40P-0.8SV(93)	—	40	—	18.2	24.2	20.2	40.4	44	44.4	14
FX6A-50P-0.8SV(93)	CL576-0204-0-93	50	X	22.2	28.2	20.2	40.4	44	44.4	14
FX6A-60P-0.8SV(93)	—	60	—	26.2	32.2	20.2	40.4	44	44.4	14
FX6A-80P-0.8SV(93)	CL576-0207-9-93	80	X	34.2	40.2	26.2	52.4	56	58.0	14
FX6A-100P-0.8SV(93)	—	100	—	42.2	48.2	34.2	68.4	72	73.0	14



- NOTE
- ① 1 REEL : 1000 CONNECTORS.
 - ② NUMBER OF CONTACTS.
 - ③ PRODUCTS MARKED × ARE AVAILABLE.
 - ④ REMOVE THE VACUUM PICKUP TAPE AFTER MOUNTING THE CONNECTOR.

2	POLYESTER	COVER TAPE	4	POLYIMIDE	TAPE FOR VACUUM PICK-UP
1	POLYSTYRENE	EMBOSSED CARRIER TAPE	3		(CONNECTOR)
NO.	MATERIAL	FINISH, REMARKS	NO.	MATERIAL	FINISH, REMARKS
CODE NO. (OLD)		DRAWN	DESIGNED	CHECKED	APPROVED
		T.YANAGISAWA	T.NODA	H.OZAWA	H.OKAWA
		'05. 07. 25	'05. 08. 04	'05. 08. 04	'05. 08. 05
DRAWING NO.		PART NO.			
EDC3-152946-23		FX6A-***P-0.8SV(93)			
SCALE		CODE NO.			
FREE		CL576			
UNITS		HIROSE ELECTRIC CO., LTD			
mm					

TO
PCK