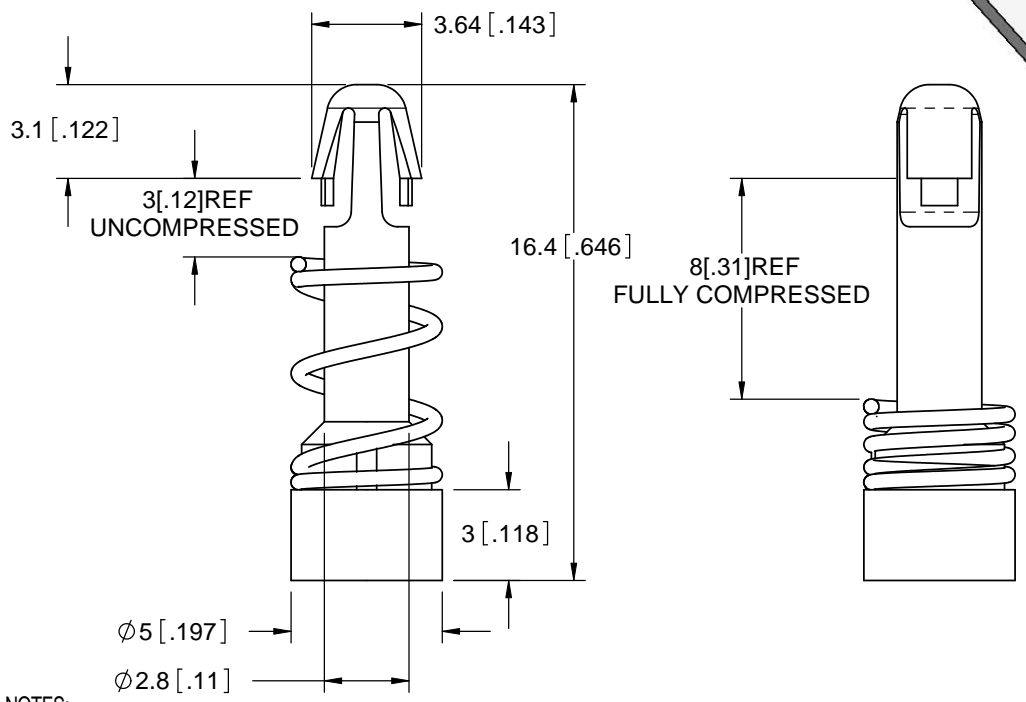


TYPICAL APPLICATION



- NOTES:
1. MATERIAL: NYLON 6/6 UL 94 V-2 RMS-047, COLOR: NATURAL
 2. SPRING MATERIAL: STEEL, RMS-326, CHROME PLATED (RMS-355).
 3. DESIGNED TO SNAP LOCK INTO A $\varnothing 3.00 \pm 0.08$ [$\varnothing 0.118 \pm 0.003$] HOLE
 4. INSERTS THROUGH A 3.18-4.00 [$\varnothing 0.125$ - 0.157] HOLE IN HEATSINK
 5. SPRING RATE: 12 LB/IN +/- 2
 6. PART IS DESIGNED IN MILLIMETERS.
INCH CONVERSIONS ARE PROVIDED FOR REF ONLY

F	SEE CO 200526 FOR CHANGES	SK	04.26.10
E	SEE CO 200099 FOR CHANGES	SK	01/07/08
D	SEE ECN #1205 FOR CHANGES	SJ	08/03/06
C	SEE ECN #937 FOR CHANGES	SK	02/08/05
B	SEE ECN #922 FOR CHANGES	SK	01/25/05
A	RELEASED FOR PRODUCTION	SM	10/19/04
REV.	DESCRIPTION	ENGR.	DATE

TITLE: HEAT SINK SPRING MOUNT RIVET				DWG IN mm[IN]			
CREATED USING SOLIDWORKS		FILE #: HSR-1	DWN: D.J.Z.	APP: D.J.Z.		FINAL	
TOLERANCES UNLESS NOTED =±.25 ANG.=±1°		SHEET: 1 OF 1	SHEET SIZE: A	DT: 08/27/2004	CHKD: S.J.	PART #	PRINT TYPE
RE: RICHCO INC.		RICHCO, INC.		ENG@RICHCO-INC.COM		HSR-1	CA
		(773) 539-4060					